



 Price List

LV- Power Quality Products and Equipments

With effect from July 01, 2017

AUTHORISED DEALERS OF "TARGET" & "AGRONIC" PRODUCTS :

M/S. TEJEET ELECTRICAL & ENGG. CORP.

4, MAHAVIR PRAKASH, V.B. LANE, GHATKOPAR(E), MUMBAI-400077

MOBILE : 09820817655 , E-mail : tejeet1@gmail.com ; tejeet@yahoo.com

Website: www.ec51.com/tejeet/ ; www.indiamart.com/tejeet-electrical-engg/

LP + 28% GST DISCOUNT : ON REQUEST

DOWNLOAD ALL LATEST PRICELIST FROM THIS LINK:

<https://drive.google.com/folderview?id=0B0m1HPtwvxUpN1EyQmw2Zy1Od28>



Price List

Contents

- LV- Power Quality Products and Equipments
 - Can Type 440V Range 4
 - Box Type 440V Range 5
 - Capacitor for Detuned filter Application 480V & 525V 6
 - Detuned Reactor 440V Range 5.67 % ,7% & 14 % 9
 - APFC Relays- Varlogic 10
 - TeSys Capacitor Duty Contactors (AC control) 10
 - Power Factor Correction Equipment- VarSet 10
 - Harmonic Filtration Equipment- AccuSine 14
 - Selection of capacitor (kVAr & Voltage) for Detuned filter Application 15

Power Factor Correction Products



Can (Cylindrical) Type 440V Capacitors

Description	kVAr Rating	Minimum Ordering Quantity (No.)	Reference	Unit LP
EasyCan (S Duty) 440V Range				
MPP - Standard Duty Can 3Ph 1kVAr 440V 50Hz	1	3	MEHVCSDY010A44	405
MPP - Standard Duty Can 3Ph 2kVAr 440V 50Hz	2	3	MEHVCSDY020A44 <input checked="" type="checkbox"/>	564
MPP - Standard Duty Can 3Ph 3kVAr 440V 50Hz	3	3	MEHVCSDY030A44 <input checked="" type="checkbox"/>	846
MPP - Standard Duty Can 3Ph 4kVAr 440V 50Hz	4	3	MEHVCSDY040A44 <input checked="" type="checkbox"/>	1129
MPP - Standard Duty Can 3Ph 5kVAr 440V 50Hz	5	3	MEHVCSDY050A44 <input checked="" type="checkbox"/>	1118
MPP - Standard Duty Can 3Ph 7.5kVAr 440V 50Hz	7.5	3	MEHVCSDY075A44	1678
MPP - Standard Duty Can 3Ph 10kVAr 440V 50Hz	10	1	MEHVCSDY100A44 <input checked="" type="checkbox"/>	1962
MPP - Standard Duty Can 3Ph 12.5kVAr 440V 50Hz	12.5	1	MEHVCSDY125A44 <input checked="" type="checkbox"/>	2452
MPP - Standard Duty Can 3Ph 15kVAr 440V 50Hz	15	1	MEHVCSDY150A44 <input checked="" type="checkbox"/>	2941
MPP - Standard Duty Can 3Ph 20kVAr 440V 50Hz	20	1	MEHVCSDY200A44 <input checked="" type="checkbox"/>	3921
MPP - Standard Duty Can 3Ph 25kVAr 440V 50Hz	25	1	MEHVCSDY250A44 <input checked="" type="checkbox"/>	4903
VarPlus Can (H Duty) 440V Range				
MPP - Heavy Duty Can 3Ph 1kVAr 440V 50Hz	1	3	MEHVCHDY010A44	540
MPP - Heavy Duty Can 3Ph 2kVAr 440V 50Hz	2	3	MEHVCHDY020A44 <input checked="" type="checkbox"/>	847
MPP - Heavy Duty Can 3Ph 3kVAr 440V 50Hz	3	3	MEHVCHDY030A44 <input checked="" type="checkbox"/>	1271
MPP - Heavy Duty Can 3Ph 4kVAr 440V 50Hz	4	3	MEHVCHDY040A44 <input checked="" type="checkbox"/>	1694
MPP - Heavy Duty Can 3Ph 5kVAr 440V 50Hz	5	3	MEHVCHDY050A44 <input checked="" type="checkbox"/>	1784
MPP - Heavy Duty Can 3Ph 7.5kVAr 440V 50Hz	7.5	3	MEHVCHDY075A44	2676
MPP - Heavy Duty Can 3Ph 10kVAr 440V 50Hz	10	1	MEHVCHDY100A44 <input checked="" type="checkbox"/>	3347
MPP - Heavy Duty Can 3Ph 12.5kVAr 440V 50Hz	12.5	1	MEHVCHDY125A44 <input checked="" type="checkbox"/>	4185
MPP - Heavy Duty Can 3Ph 15kVAr 440V 50Hz	15	1	MEHVCHDY150A44 <input checked="" type="checkbox"/>	5020
MPP - Heavy Duty Can 3Ph 20kVAr 440V 50Hz	20	1	MEHVCHDY200A44 <input checked="" type="checkbox"/>	6694
MPP - Heavy Duty Can 3Ph 25kVAr 440V 50Hz	25	1	MEHVCHDY250A44 <input checked="" type="checkbox"/>	8366
MPP - Heavy Duty Can 3Ph 30kVAr 440V 50Hz	30	1	MEHVCHDY300A44	10040
MPP - Heavy Duty Can 3Ph 40kVAr 440V 50Hz (Single unit with IP00)	40	1	MEHVCHDY400A44	13043
MPP - Heavy Duty Can 3Ph 50kVAr 440V 50Hz (Single unit with IP00)	50	1	MEHVCHDY500A44	16303
VarPlus Can (GH Duty) 440V Range				
MPP - Gas Heavy Duty Can 3Ph 5kVAr 440V 50Hz	5	3	MEHVCGSF050A44 <input checked="" type="checkbox"/>	1925
MPP - Gas Heavy Duty Can 3Ph 7.5kVAr 440V 50Hz	7.5	3	MEHVCGSF075A44	2884
MPP - Gas Heavy Duty Can 3Ph 10kVAr 440V 50Hz	10	1	MEHVCGSF100A44 <input checked="" type="checkbox"/>	3557
MPP - Gas Heavy Duty Can 3Ph 12.5kVAr 440V 50Hz	12.5	1	MEHVCGSF125A44 <input checked="" type="checkbox"/>	4444
MPP - Gas Heavy Duty Can 3Ph 15kVAr 440V 50Hz	15	1	MEHVCGSF150A44 <input checked="" type="checkbox"/>	5333
MPP - Gas Heavy Duty Can 3Ph 20kVAr 440V 50Hz	20	1	MEHVCGSF200A44 <input checked="" type="checkbox"/>	7111
MPP - Gas Heavy Duty Can 3Ph 25kVAr 440V 50Hz	25	1	MEHVCGSF250A44 <input checked="" type="checkbox"/>	8888
MPP - Gas Heavy Duty Can 3Ph 30kVAr 440V 50Hz	30	1	MEHVCGSF300A44	10660
MPP - Gas Heavy Duty Can 3Ph 40kVAr 440V 50Hz (Single unit with IP00)	40	1	MEHVCGSF400A44	13800
MPP - Gas Heavy Duty Can 3Ph 50kVAr 440V 50Hz (Single unit with IP00)	50	1	MEHVCGSF500A44	17249

Power Factor Correction Products



Box (Square) Type 440V Capacitors

Description	kVAr Rating	Minimum Ordering Quantity (No.)	Reference	Unit LP
VarPlus Box S Duty 440V Range				
MPP - Standard Duty Box 3ph 7.5kVAr 440V 50Hz	7.5	1	MEHBSDY075A44	2228
MPP - Standard Duty Box 3Ph 10kVAr 440V 50Hz	10	1	MEHBSDY100A44 <input checked="" type="checkbox"/>	2864
MPP - Standard Duty Box 3ph 12.5kVAr 440V 50Hz	12.5	1	MEHBSDY125A44	3580
MPP - Standard Duty Box 3ph 15kVAr 440V 50Hz	15	1	MEHBSDY150A44	4294
MPP - Standard Duty Box 3ph 20kVAr 440V 50Hz	20	1	MEHBSDY200A44 <input checked="" type="checkbox"/>	5726
MPP - Standard Duty Box 3ph 25kVAr 440V 50Hz	25	1	MEHBSDY250A44 <input checked="" type="checkbox"/>	7157
MPP - Standard Duty Box 3ph 30kVAr 440V 50Hz	30	1	MEHBSDY300A44	9171
MPP - Standard Duty Box 3ph 50kVAr 440V 50Hz(single unit)	50	1	MEHBSDY500A44	15286
VarPlus Box H Duty 440V Range				
MPP - Heavy Duty Box 3Ph 5kVAr 440V 50Hz	5	1	MEHBHDY050A44 <input checked="" type="checkbox"/>	2369
MPP - Heavy Duty Box 3Ph 7.5kVAr 440V 50Hz	7.5	1	MEHBHDY075A44	3550
MPP - Heavy Duty Box 3Ph 10kVAr 440V 50Hz	10	1	MEHBHDY100A44 <input checked="" type="checkbox"/>	4044
MPP - Heavy Duty Box 3Ph 12.5kVAr 440V 50Hz	12.5	1	MEHBHDY125A44 <input checked="" type="checkbox"/>	5063
MPP - Heavy Duty Box 3Ph 15kVAr 440V 50Hz	15	1	MEHBHDY150A44 <input checked="" type="checkbox"/>	6075
MPP - Heavy Duty Box 3Ph 20kVAr 440V 50Hz	20	1	MEHBHDY200A44 <input checked="" type="checkbox"/>	8098
MPP - Heavy Duty Box 3Ph 25kVAr 440V 50Hz	25	1	MEHBHDY250A44 <input checked="" type="checkbox"/>	10123
MPP - Heavy Duty Box 3Ph 30kVAr 440V 50Hz	30	1	MEHBHDY300A44	12148
MPP - Heavy Duty Box 3Ph 50kVAr 440V 50Hz (single unit)	50	1	MEHBHDY500A44	20908
VarPlus Box Energy (MD-XL) 440V Range				
Energy - MD-XL Box 3Ph 5kVAr 440V 50 Hz	5	1	MEHBENY050A44 <input checked="" type="checkbox"/>	3702
Energy - MD-XL Box 3Ph 7.5kVAr 440V 50 Hz	7.5	1	MEHBENY075A44	5551
Energy - MD-XL Box 3Ph 10kVAr 440V 50 Hz	10	1	MEHBENY100A44 <input checked="" type="checkbox"/>	7067
Energy - MD-XL Box 3Ph 12.5kVAr 440V 50Hz	12.5	1	MEHBENY125A44	8839
Energy - MD-XL Box 3Ph 15kVAr 440V 50 Hz	15	1	MEHBENY150A44 <input checked="" type="checkbox"/>	10589
Energy - MD-XL Box 3Ph 20kVAr 440V 50 Hz	20	1	MEHBENY200A44 <input checked="" type="checkbox"/>	14119
Energy - MD-XL Box 3Ph 25kVAr 440V 50 Hz	25	1	MEHBENY250A44 <input checked="" type="checkbox"/>	17676
Energy - MD-XL Box 3Ph 30kVAr 440V 50 Hz	30	1	MEHBENY300A44	21200
Energy - MD-XL Box 3Ph 50kVAr 440V 50 Hz(Single unit)	50	1	MEHBENY500A44	38017
VarPlus Box APP 440V Range				
APP - Box 3Ph 5kVAr 440V 50Hz	5	1	MEHBAPP050A44 <input checked="" type="checkbox"/>	3538
APP - Box 3Ph 7.5kVAr 440V 50Hz	7.5	1	MEHBAPP075A44	5308
APP - Box 3Ph 10kVAr 440V 50Hz	10	1	MEHBAPP100A44 <input checked="" type="checkbox"/>	6209
APP - Box 3Ph 12.5kVAr 440V 50Hz	12.5	1	MEHBAPP125A44	7762
APP - Box 3Ph 15kVAr 440V 50Hz	15	1	MEHBAPP150A44 <input checked="" type="checkbox"/>	9314
APP - Box 3Ph 20kVAr 440V 50Hz	20	1	MEHBAPP200A44 <input checked="" type="checkbox"/>	12419
APP - Box 3Ph 25kVAr 440V 50Hz	25	1	MEHBAPP250A44 <input checked="" type="checkbox"/>	15523
APP - Box 3Ph 30kVAr 440V 50Hz	30	1	MEHBAPP300A44	18662
APP - Box 3Ph 50kVAr 440V 50Hz (Bank 25kVAr x 2 nos)	50	1	MEHBAPP500A44	34606

Power Factor Correction Products



Detuned Filter Application Capacitors

Description	kVArRating	Minimum Ordering Quantity (No.)	Reference	Unit LP
-------------	------------	---------------------------------	-----------	---------

*** Capacitors for 7%/5.7% , 440V Detuned Filter Application**

VarPlus Can (H Duty) 480V Range

MPP - Heavy Duty Can 3Ph 5.6kVAr 480V 50Hz	5.6	1	MEHVCHDY056A48	1997
MPP - Heavy Duty Can 3Ph 6.7kVAr 480V 50Hz	6.7	1	MEHVCHDY067A48	2389
MPP - Heavy Duty Can 3Ph 11.3kVAr 480V 50Hz	11.3	1	MEHVCHDY113A48	3778
MPP - Heavy Duty Can 3Ph 12.5kVAr 480V 50Hz	12.5	1	MEHVCHDY125A48	4179
MPP - Heavy Duty Can 3Ph 14.4kVAr 480V 50Hz	14.4	1	MEHVCHDY144A48	4818
MPP - Heavy Duty Can 3Ph 15.5kVAr 480V 50Hz	15.5	1	MEHVCHDY155A48	5186
MPP - Heavy Duty Can 3Ph 17kVAr 480V 50Hz	17	1	MEHVCHDY170A48	5690
MPP - Heavy Duty Can 3Ph 19kVAr 480V 50Hz	19	1	MEHVCHDY190A48	6359
MPP - Heavy Duty Can 3Ph 22.4kVAr 480V 50Hz	22.4	1	MEHVCHDY224A48	7496
MPP - Heavy Duty Can 3Ph 25kVAr 480V 50Hz	25	1	MEHVCHDY250A48	8367
MPP - Heavy Duty Can 3Ph 28.1kVAr 480V 50Hz	28.1	1	MEHVCHDY281A48	9396
MPP - Heavy Duty Can 3Ph 31.5kVAr 480V 50Hz	31.5	1	MEHVCHDY315A48	10533

VarPlus Can (GH Duty) 480V Range

MPP - GasHeavy Duty Can 3Ph 5.6kVAr 480V 50Hz	5.6	1	MEHVCGSF056A48	2154
MPP - GasHeavy Duty Can 3Ph 6.7kVAr 480V 50Hz	6.7	1	MEHVCGSF067A48	2577
MPP - GasHeavy Duty Can 3Ph 11.3kVAr 480V 50Hz	11.3	1	MEHVCGSF113A48	4015
MPP - GasHeavy Duty Can 3Ph 12.5kVAr 480V 50Hz	12.5	1	MEHVCGSF125A48	4441
MPP - GasHeavy Duty Can 3Ph 14.4kVAr 480V 50Hz	14.4	1	MEHVCGSF144A48	5116
MPP - GasHeavy Duty Can 3Ph 15.5kVAr 480V 50Hz	15.5	1	MEHVCGSF155A48	5507
MPP - GasHeavy Duty Can 3Ph 17kVAr 480V 50Hz	17	1	MEHVCGSF170A48	6041
MPP - GasHeavy Duty Can 3Ph 19kVAr 480V 50Hz	19	1	MEHVCGSF190A48	6752
MPP - GasHeavy Duty Can 3Ph 22.4kVAr 480V 50Hz	22.4	1	MEHVCGSF224A48	7959
MPP - GasHeavy Duty Can 3Ph 25kVAr 480V 50Hz	25	1	MEHVCGSF250A48	8883
MPP - GasHeavy Duty Can 3Ph 28.1kVAr 480V 50Hz	28.1	1	MEHVCGSF281A48	10021
MPP - GasHeavy Duty Can 3Ph 31.5kVAr 480V 50Hz	31.5	1	MEHVCGSF315A48	11234

VarPlus Box H Duty 480V Range

MPP - Heavy Duty Box 3Ph 5.6kVAr 480V 50Hz	5.6	1	MEHVBHDY056A48	2651
MPP - Heavy Duty Box 3Ph 6.7kVAr 480V 50Hz	6.7	1	MEHVBHDY067A48	3172
MPP - Heavy Duty Box 3Ph 11.3kVAr 480V 50Hz	11.3	1	MEHVBHDY113A48	4575
MPP - Heavy Duty Box 3Ph 14.4kVAr 480V 50Hz	14.4	1	MEHVBHDY144A48	5830
MPP - Heavy Duty Box 3Ph 17kVAr 480V 50Hz	17	1	MEHVBHDY170A48	6881
MPP - Heavy Duty Box 3Ph 22.4kVAr 480V 50Hz	22.4	1	MEHVBHDY224A48	9033
MPP - Heavy Duty Box 3Ph 25kVAr 480V 50Hz	25	1	MEHVBHDY250A48	10083
MPP - Heavy Duty Box 3Ph 28.1kVAr 480V 50Hz	28.1	1	MEHVBHDY281A48	11333
MPP - Heavy Duty Box 3Ph 31.5kVAr 480V 50Hz	31.5	1	MEHVBHDY315A48	12704
MPP - Heavy Duty Box 3Ph 56.1kVAr 480V 50Hz (Single unit)	56.1	1	MEHVBHDY561A48	23445

VarPlus Box Energy (MD-XL) 480V Range

Energy - MD-XL Box 3Ph 5.6kVAr 480V 50 Hz	5.6	1	MEHVBENY056A48	4141
Energy - MD-XL Box 3Ph 6.7kVAr 480V 50 Hz	6.7	1	MEHVBENY067A48	4955
Energy - MD-XL Box 3Ph 11.3kVAr 480V 50 Hz	11.3	1	MEHVBENY113A48	7983
Energy - MD-XL Box 3Ph 14.4kVAr 480V 50 Hz	14.4	1	MEHVBENY144A48	10181
Energy - MD-XL Box 3Ph 15.5kVAr 480V 50 Hz	15.5	1	MEHVBENY155A48	10959
Energy - MD-XL Box 3Ph 17kVAr 480V 50 Hz	17	1	MEHVBENY170A48	12019
Energy - MD-XL Box 3Ph 19kVAr 480V 50 Hz	19	1	MEHVBENY190A48	13434
Energy - MD-XL Box 3Ph 22.4kVAr 480V 50 Hz	22.4	1	MEHVBENY224A48	15838
Energy - MD-XL Box 3Ph 25.0kVAr 480V 50 Hz	25	1	MEHVBENY250A48	17683
Energy - MD-XL Box 3Ph 28.1kVAr 480V 50 Hz	28.1	1	MEHVBENY281A48	19875
Energy - MD-XL Box 3Ph 31.5kVAr 480V 50 Hz	31.5	1	MEHVBENY315A48	22279
Energy - MD-XL Box 3Ph 56.1kVAr 480V 50 Hz (single unit)	56.1	1	MEHVBENY561A48	42623

* Refer to Selection chart for Reactors & Capacitors available on page 15

NORMAL STOCK ITEMS

W.E.F. July 01, 2017

Power Factor Correction Products



Detuned Filter Application Capacitors

Description	kVAr Rating	Minimum Ordering Quantity (No.)	Reference	Unit LP
VarPlus Box APP 480V Range				
APP - Box 3Ph 5.6kVAr 480V 50Hz	5.6	1	MEHVBAPP056A48	3957
APP - Box 3Ph 6.7kVAr 480V 50Hz	6.7	1	MEHVBAPP067A48	4734
APP - Box 3Ph 11.3kVAr 480V 50Hz	11.3	1	MEHVBAPP113A48	7026
APP - Box 3Ph 12.5kVAr 480V 50Hz	12.5	1	MEHVBAPP125A48	7773
APP - Box 3Ph 14.4kVAr 480V 50Hz	14.4	1	MEHVBAPP144A48	8954
APP - Box 3Ph 15.5kVAr 480V 50Hz	15.5	1	MEHVBAPP155A48	9626
APP - Box 3Ph 17kVAr 480V 50Hz	17	1	MEHVBAPP170A48	10584
APP - Box 3Ph 19kVAr 480V 50Hz	19	1	MEHVBAPP190A48	11800
APP - Box 3Ph 22.4kVAr 480V 50Hz	22.4	1	MEHVBAPP224A48	13944
APP - Box 3Ph 25kVAr 480V 50Hz	25	1	MEHVBAPP250A48	15527
APP - Box 3Ph 28.1kVAr 480V 50Hz	28.1	1	MEHVBAPP281A48 <input checked="" type="checkbox"/>	17452
APP - Box 3Ph 31.5kVAr 480V 50Hz	31.5	1	MEHVBAPP315A48	19564
APP - Box 3Ph 56.1kVAr 480V 50Hz (Bank 28.1kVAr x 2nos)	56.1	1	MEHVBAPP561A48	38828
* Capacitors for 7%/ 5.7%/ 14% , 440V Filter Application				
VarPlus Can (H Duty) 525V Range				
MPP - Heavy Duty Can 3Ph 6.9kVAr 525V 50Hz	6.9	1	MEHVCHDY069A52	2464
MPP - Heavy Duty Can 3Ph 12.5kVAr 525V 50Hz	12.5	1	MEHVCHDY125A52	4182
MPP - Heavy Duty Can 3Ph 13.8kVAr 525V 50Hz	13.8	1	MEHVCHDY138A52	4617
MPP - Heavy Duty Can 3Ph 15.4kVAr 525V 50Hz	15.4	1	MEHVCHDY154A52	5151
MPP - Heavy Duty Can 3Ph 17.2kVAr 525V 50Hz	17.2	1	MEHVCHDY172A52	5756
MPP - Heavy Duty Can 3Ph 18.5kVAr 525V 50Hz	18.5	1	MEHVCHDY185A52	6189
MPP - Heavy Duty Can 3Ph 20.6kVAr 525V 50Hz	20.6	1	MEHVCHDY206A52	6890
MPP - Heavy Duty Can 3Ph 22.6kVAr 525V 50Hz	22.6	1	MEHVCHDY226A52	7560
MPP - Heavy Duty Can 3Ph 25kVAr 525V 50Hz	25	1	MEHVCHDY250A52	8366
MPP - Heavy Duty Can 3Ph 27.5kVAr 525V 50Hz	27.5	1	MEHVCHDY275A52	9203
MPP - Heavy Duty Can 3Ph 30.6kVAr 525V 50Hz	30.6	1	MEHVCHDY306A52	10239
MPP - Heavy Duty Can 3Ph 33.1kVAr 525V 50Hz	33.1	1	MEHVCHDY331A52 <input checked="" type="checkbox"/>	11118
MPP - Heavy Duty Can 3Ph 34.4kVAr 525V 50Hz	34.4	1	MEHVCHDY344A52	11502
MPP-Heavy Duty Can 3Ph 37.7 kVAr 525V 50Hz	37.7	1	MEHVCHDY377A52	12603
VarPlus Can (GH Duty) 525V Range				
MPP - GasHeavy Duty Can 3Ph 6.9kVAr 525V 50Hz	6.9	1	MEHVCGSF069A52	2660
MPP - GasHeavy Duty Can 3Ph 12.5kVAr 525V 50Hz	12.5	1	MEHVCGSF125A52	4456
MPP - GasHeavy Duty Can 3Ph 13.8kVAr 525V 50Hz	13.8	1	MEHVCGSF138A52	4919
MPP - GasHeavy Duty Can 3Ph 15.4kVAr 525V 50Hz	15.4	1	MEHVCGSF154A52	5453
MPP - GasHeavy Duty Can 3Ph 17.2kVAr 525V 50Hz	17.2	1	MEHVCGSF172A52	6137
MPP - GasHeavy Duty Can 3Ph 18.5kVAr 525V 50Hz	18.5	1	MEHVCGSF185A52	6566
MPP - GasHeavy Duty Can 3Ph 20.6kVAr 525V 50Hz	20.6	1	MEHVCGSF206A52	7350
MPP - GasHeavy Duty Can 3Ph 22.6kVAr 525V 50Hz	22.6	1	MEHVCGSF226A52	8064
MPP - GasHeavy Duty Can 3Ph 25kVAr 525V50Hz	25	1	MEHVCGSF250A52	8914
MPP - GasHeavy Duty Can 3Ph 27.5kVAr 525V50Hz	27.5	1	MEHVCGSF275A52	9813
MPP - GasHeavy Duty Can 3Ph 30.6kVAr 525V50Hz	30.6	1	MEHVCGSF306A52	10918
MPP - GasHeavy Duty Can 3Ph 33.1kVAr 525V50Hz	33.1	1	MEHVCGSF331A52 <input checked="" type="checkbox"/>	11811
MPP - Gas Heavy Duty Can 3Ph 34.4kVAr 525V50Hz	34.4	1	MEHVCGSF344A52	12275
MPP - GasHeavy Duty Can 3Ph 37.7kVAr 525V50Hz	37.7	1	MEHVCGSF377A52	13425

* Refer to Selection chart for Reactors & Capacitors available on page 15

Power Factor Correction Products



Detuned Filter Application Capacitors

Description	kVAr Rating	Minimum Ordering Quantity (No.)	Reference	Unit LP
VarPlus Box H Duty 525V Range				
MPP - Heavy Duty Box 3Ph 6.9kVAr 525V 50Hz	6.9	1	MEHVBHDY069A52	2790
MPP - Heavy Duty Box 3Ph 12.5kVAr 525V 50Hz	12.5	1	MEHVBHDY125A52	5045
MPP - Heavy Duty Box 3Ph 13.8kVAr 525V 50Hz	13.8	1	MEHVBHDY138A52	5580
MPP - Heavy Duty Box 3Ph 15.4kVAr 525V 50Hz	15.4	1	MEHVBHDY154A52	6226
MPP - Heavy Duty Box 3Ph 17.2kVAr 525V 50Hz	17.2	1	MEHVBHDY172A52	6956
MPP - Heavy Duty Box 3Ph 18.5kVAr 525V 50Hz	18.5	1	MEHVBHDY185A52	7493
MPP - Heavy Duty Box 3Ph 20.6kVAr 525V 50Hz	20.6	1	MEHVBHDY206A52	8330
MPP - Heavy Duty Box 3Ph 22.6kVAr 525V 50Hz	22.6	1	MEHVBHDY226A52	9113
MPP - Heavy Duty Box 3Ph 25kVAr 525V 50Hz	25	1	MEHVBHDY250A52	10123
MPP - Heavy Duty Box 3Ph 27.5kVAr 525V 50Hz	27.5	1	MEHVBHDY275A52	11129
MPP - Heavy Duty Box 3Ph 30.6kVAr 525V 50Hz	30.6	1	MEHVBHDY306A52	12344
MPP - Heavy Duty Box 3Ph 33.1kVAr 525V 50Hz	33.1	1	MEHVBHDY331A52	13397
MPP - Heavy Duty Box 3Ph 37.7kVAr 525V 50Hz	37.7	1	MEHVBHDY377A52	15208
VarPlus Box Energy (MD - XL) 525V Range				
Energy - MD-XL Box 3Ph 6.9kVAr 525V 50 Hz	6.9	1	MEHVBENY069A52	5102
Energy - MD-XL Box 3Ph 12.5kVAr 525V 50 Hz	12.5	1	MEHVBENY125A52	8829
Energy - MD-XL Box 3Ph 13.8kVAr 525V 50 Hz	13.8	1	MEHVBENY138A52	9758
Energy - MD-XL Box 3Ph 15.4kVAr 525V 50 Hz	15.4	1	MEHVBENY154A52	10878
Energy - MD-XL Box 3Ph 17.2kVAr 525V 50 Hz	17.2	1	MEHVBENY172A52	12142
Energy - MD-XL Box 3Ph 18.5kVAr 525V 50 Hz	18.5	1	MEHVBENY185A52	13062
Energy - MD-XL Box 3Ph 20.6kVAr 525V 50 Hz	20.6	1	MEHVBENY206A52	14544
Energy - MD-XL Box 3Ph 22.6kVAr 525V 50 Hz	22.6	1	MEHVBENY226A52	15942
Energy - MD-XL Box 3Ph 25kVAr 525V 50 Hz	25	1	MEHVBENY250A52	17664
Energy - MD-XL Box 3Ph 27.5kVAr 525V 50 Hz	27.5	1	MEHVBENY275A52	19410
Energy - MD-XL Box 3Ph 30.6kVAr 525V 50 Hz	30.6	1	MEHVBENY306A52	21611
Energy - MD-XL Box 3Ph 33.1kVAr 525V 50 Hz	33.1	1	MEHVBENY331A52	23367
Energy - MD-XL Box 3Ph 37.7kVAr 525V 50 Hz	37.7	1	MEHVBENY377A52	26623
VarPlus Box APP 525V Range				
APP - Box 3Ph 6.9kVAr 525V 50Hz	6.9	1	MEHVBAPP069A52	4876
APP - Box 3Ph 9.2kVAr 525V 50Hz	9.2	1	MEHVBAPP092A52	6503
APP - Box 3Ph 12.5kVAr 525V 50Hz	12.5	1	MEHVBAPP125A52	7763
APP - Box 3Ph 13.8kVAr 525V 50Hz	13.8	1	MEHVBAPP138A52	8566
APP - Box 3Ph 15.4kVAr 525V 50Hz	15.4	1	MEHVBAPP154A52	9559
APP - Box 3Ph 17.2kVAr 525V 50Hz	17.2	1	MEHVBAPP172A52	10698
APP - Box 3Ph 18.5kVAr 525V 50Hz	18.5	1	MEHVBAPP185A52	11489
APP - Box 3Ph 20.6kVAr 525V 50Hz	20.6	1	MEHVBAPP206A52	12794
APP - Box 3Ph 22.6kVAr 525V 50Hz	22.6	1	MEHVBAPP226A52	14035
APP - Box 3Ph 25kVAr 525V 50Hz	25	1	MEHVBAPP250A52	15529
APP - Box 3Ph 27.5kVAr 525V 50Hz	27.5	1	MEHVBAPP275A52	17080
APP - Box 3Ph 30.6kVAr 525V 50Hz	30.6	1	MEHVBAPP306A52	19005
APP - Box 3Ph 33.1kVAr 525V 50Hz	33.1	1	MEHVBAPP331A52	20557
APP - Box 3Ph 37.7kVAr 525V 50Hz	37.7	1	MEHVBAPP377A52	23414

Refer to Selection chart for Reactors & Capacitors available on page 15

NORMAL STOCK ITEMS

W.E.F. July 01, 2017

PFC - Detuned Reactors



Detuned Reactor 440V Range

Description	kVAr Rating	Minimum Ordering Quantity (No.)	Reference	Unit LP
VarPlus Detuned Reactor 5.7%, 440V Range				
Detuned Reactor 5.7% 3Ph 5kVAr 440V 50Hz	5	1	LVR05050A44	9515
Detuned Reactor 5.7% 3Ph 10kVAr 440V 50Hz	10	1	LVR05100A44	13753
Detuned Reactor 5.7% 3Ph 12.5kVAr 440V 50Hz	12.5	1	LVR05125A44	15728
Detuned Reactor 5.7% 3Ph 15kVAr 440V 50Hz	15	1	LVR05150A44	16677
Detuned Reactor 5.7% 3Ph 20kVAr 440V 50Hz	20	1	LVR05200A44	17701
Detuned Reactor 5.7% 3Ph 25kVAr 440V 50Hz	25	1	LVR05250A44	16602
Detuned Reactor 5.7% 3Ph 50kVAr 440V 50Hz	50	1	LVR05500A44	27761
Detuned Reactor 5.7% 3Ph 75kVAr 440V 50Hz	75	1	LVR05750A44	41641
Detuned Reactor 5.7% 3Ph 100kVAr 440V 50Hz	100	1	LVR05X00A44	55521
VarPlus Detuned Reactor 7%, 440V Range				
Detuned Reactor 7% 3Ph 5kVAr 440V 50Hz	5	1	LVR07050A44 <input checked="" type="checkbox"/>	8573
Detuned Reactor 7% 3Ph 10kVAr 440V 50Hz	10	1	LVR07100A44 <input checked="" type="checkbox"/>	12390
Detuned Reactor 7% 3Ph 12.5kVAr 440V 50Hz	12.5	1	LVR07125A44 <input checked="" type="checkbox"/>	14169
Detuned Reactor 7% 3Ph 15kVAr 440V 50Hz	15	1	LVR07150A44 <input checked="" type="checkbox"/>	15024
Detuned Reactor 7% 3Ph 20kVAr 440V 50Hz	20	1	LVR07200A44 <input checked="" type="checkbox"/>	15947
Detuned Reactor 7% 3Ph 25kVAr 440V 50Hz	25	1	LVR07250A44 <input checked="" type="checkbox"/>	14956
Detuned Reactor 7% 3Ph 50kVAr 440V 50Hz	50	1	LVR07500A44 <input checked="" type="checkbox"/>	24884
Detuned Reactor 7% 3Ph 75kVAr 440V 50Hz	75	1	LVR07750A44 <input checked="" type="checkbox"/>	37327
Detuned Reactor 7% 3Ph 100kVAr 440V 50Hz	100	1	LVR07X00A44 <input checked="" type="checkbox"/>	49770
VarPlus Detuned Reactor 14%, 440V Range				
Detuned Reactor 14% 3Ph 5kVAr 440V 50Hz	5	1	LVR14050A44	12759
Detuned Reactor 14% 3Ph 10kVAr 440V 50Hz	10	1	LVR14100A44	18141
Detuned Reactor 14% 3Ph 12.5kVAr 440V 50Hz	12.5	1	LVR14125A44	21375
Detuned Reactor 14% 3Ph 15kVAr 440V 50Hz	15	1	LVR14150A44	21992
Detuned Reactor 14% 3Ph 20kVAr 440V 50Hz	20	1	LVR14200A44	23864
Detuned Reactor 14% 3Ph 25kVAr 440V 50Hz	25	1	LVR14250A44	23390
Detuned Reactor 14% 3Ph 50kVAr 440V 50Hz	50	1	LVR14500A44	39016
Detuned Reactor 14% 3Ph 75kVAr 440V 50Hz	75	1	LVR14750A44	58523
Detuned Reactor 14% 3Ph 100kVAr 440V 50Hz	100	1	LVR14X00A44	78030

Power Factor Correction Products



APFC Relays

Description	No. of Step	Minimum Ordering Quantity (No.)	Reference	Unit LP
Varlogic APFC Relays - Classic Range				
RT6 , 6 step, 440V, 5A	6	1	51207	11241
RT8 , 8 step, 440V, 5A	8	1	51209	14571
RT12 , 12 step, 440V, 5A	12	1	51213	16904
VarPlus Logic APFC Relays - Advanced Range NEW				
VPL06, 6 step LCD Display , 90V - 550V 50/60Hz 1A/5A with RS485	6	1	VPL06N	25042
VPL12, 12 step LCD Display , 90V - 550V 50/60Hz 1A/5A with RS485	12	1	VPL12N	27040

Capacitor Duty Contactors (AC Control)



- Conformance to IEC 60070 and 60831,UL, CSA
- Special Contactors designed for switching of 3 Phase, single or multi step capacitor bank#
- Current limiting using block of early make poles and damping resistors
- Inbuilt auxiliary contact

Nominal Reactive Power 440 V	Auxiliary Contacts	Reference	Unit MRP
LC1-D•K - with Damping Resistors & Block of Early Make poles			
12.5 kVar	1 NO + 1 NC	LC1DFK11*	2450
16.7 kVar	1 NO + 1 NC	LC1DGK11*C	3450
20 kVar	1 NO + 1 NC	LC1DLK11*	4000
25 kVar	1 NO + 1 NC	LC1DMK11*C	4400
33.3 kVar	1 NO + 2 NC	LC1DPK*C	9400
40 kVar	1 NO + 2 NC	LC1DTK*C	13000
60 kVar	1 NO + 2 NC	LC1DWK*C	14800

#Contactor recommended upto 6 steps. For over 6 steps it is recommended to use chokes

* Reference to be completed by adding coil voltage code

* Coil Voltage Code

VOLTAGE	110	220
LC1DPKDWK 50HZ	F7	M7

Note: For ordering contactors with other coil voltages & frequencies, please add Rs 190/- to the unit price of the standard contactor of the same rating. For details on non standard references, technical parameters, accessories, compatibility, stockable and non stockable status please contact Customer Care

Power Factor Correction Equipment- VarSet



Reliable

- > Achieves Target set PF
- > Reduces demand kVA
- > Eliminates PF Penalty
- > Highest output to steps ratio "∅"
- > Fuel savings in DG

Safe

- > 3ph simultaneous PSD
- > Burst proof capacitors
- > Detuned Reactors- No Harmonic Amplification
- > Minimum switching transient

Embedded Intelligence

- > Auto start, Auto detection, Auto polarity check, Auto c/k
- > Thermal intelligence
- > Harmonic intelligence
- > Asset management and performance
- > PQ Disturbance detection (Optional)

Digitize

- > Flexible to move to connected world
- > Web page monitor facility through Schneider Gateway devices (Optional)
- > Seam less integration with PME, PSE

Quality of construction

- > Compliance to IEC 61921 and Indian Standards.
- > Stringent quality control measures
- > Best Engineering practices
- > Best thermal design for heat dissipation



NORMAL STOCK ITEMS

W.E.F. July 01, 2017

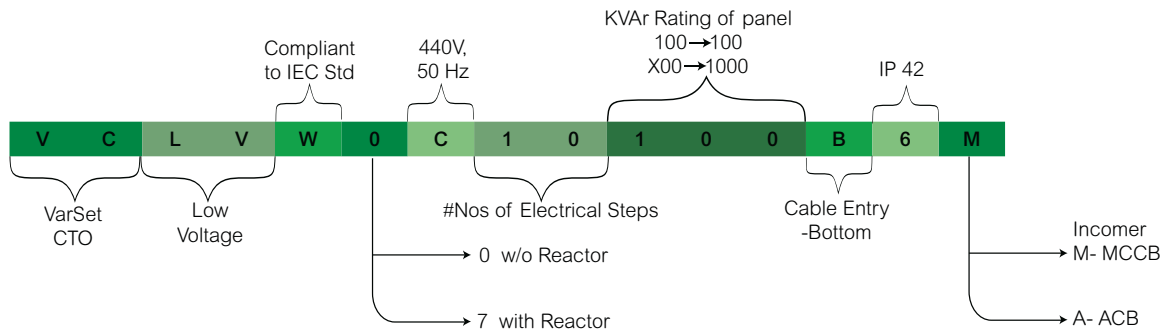
Power Factor Correction Equipment- VarSet

VarSet LV APFC panels without reactors



Panel Ratings	Step Configuration in kVAr	Cat Reference No.	Dimensions (in mm) W x D x H	Unit LP [₹]
Incomer MCCB				
100	3x10kVAr + 1x20kVAr + 1x50kVAr	VCLVW0C10100B6M	800 x 600 x 1800	300855
125	2x12.5kVAr + 2x25kVAr + 1x50kVAr	VCLVW0C10125B6M	800 x 600 x 1800	314744
150	2x12.5kVAr + 1x25kVAr + 2x50kVAr	VCLVW0C12150B6M	800 x 600 x 1800	350444
200	2x12.5kVAr + 1x25kVAr + 3x50kVAr	VCLVW0C16200B6M	800 x 600 x 1800	404762
250	2x12.5kVAr + 1x25kVAr + 4x50kVAr	VCLVW0C20250B6M	800 x 600 x 2000	451905
300	2x12.5kVAr + 1x25kVAr + 5x50kVAr	VCLVW0C24300B6M	1000 x 600 x 2000	531190
350	2x12.5kVAr + 1x25kVAr + 6x50kVAr	VCLVW0C28350B6M	1000 x 600 x 2000	559524
400	2x25kVAr + 3x50kVAr + 2x100kVAr	VCLVW0C16400B6M	1200 x 800 x 2000	576190
500	2x25kVAr + 3x50kVAr + 3x100kVAr (I/C MCCB)	VCLVW0C20500B6M	1200 x 800 x 2000	717857
Incomer ACB				
500	2x25kVAr + 3x50kVAr + 3x100kVAr (I/C MCCB)	VCLVW0C20500B6A	1200 x 800 x 2000	765238
600	2x25kVAr + 3x50kVAr + 4x100kVAr	VCLVW0C24600B6A	1600 x 800 x 2000	881190
700	2x25kVAr + 3x50kVAr + 5x100kVAr	VCLVW0C28700B6A	1600 x 800 x 2000	987811
750	2x25kVAr + 4x50kVAr + 5x100kVAr	VCLVW0C30750B6A	1600 x 800 x 2000	1049744
800	2x25kVAr + 3x50kVAr + 6x100kVAr	VCLVW0C32800B6A	2000 x 800 x 2000	1088806
900	2x25kVAr + 3x50kVAr + 7x100kVAr	VCLVW0C36900B6A	2000 x 800 x 2000	1179744
1000	2x25kVAr + 1x50kVAr + 9x100kVAr	VCLVW0C40X00B6A	2000 x 800 x 2000	1244359

Cat Reference Creation



Product offer: VarSet LV APFC panels with 7% / without Reactors Ratings = 100kVAr to 1000kVAr Capacitor = MPP HD Can 440/480V, with 3ph simultaneous PSD	General Features: System voltage = 440V Frequency = 50Hz Phase = 3 Design = Modular / Expandable IP = IP42 Switching = Random	Incomer: Upto 500kVAr = MCCB, 36kA 500 to 1000kVAr = ACB, 65kA Step protection = MCCBs, 36kA	Switching: Capacitor duty Contactor - without Reactor design Power Contactors - with Reactor design
--	--	--	---

Power Factor Correction Equipment- VarSet

VarSet LV APFC panels with 7% reactors



Panel Ratings	Step Configuration in kVAr	Cat Reference No.	Dimensions (in mm) W x D x H	Unit LP ₹
Incomer MCCB				
100	3x10kVAr + 1x20kVAr + 1x50kVAr	VCLVW7C10100B6M	1300 x 600 x 1800	367949
125	2x12.5kVAr + 2x25kVAr + 1x50kVAr	VCLVW7C10125B6M	1300 x 600 x 1800	388462
150	2x12.5kVAr + 1x25kVAr + 2x50kVAr	VCLVW7C12150B6M	1300 x 600 x 1800	428000
200	2x12.5kVAr + 1x25kVAr + 3x50kVAr	VCLVW7C16200B6M	1300 x 600 x 1800	497381
250	2x12.5kVAr + 1x25kVAr + 4x50kVAr	VCLVW7C20250B6M	1300 x 600 x 2000	554048
300	2x12.5kVAr + 1x25kVAr + 5x50kVAr	VCLVW7C24300B6M	1500 x 800 x 2000	660000
350	2x12.5kVAr + 1x25kVAr + 6x50kVAr	VCLVW7C28350B6M	1500 x 800 x 2000	697619
400	2x25kVAr + 3x50kVAr + 2x100kVAr	VCLVW7C16400B6M	1700 x 800 x 2000	702619
500	2x25kVAr + 3x50kVAr + 3x100kVAr (I/C MCCB)	VCLVW7C20500B6M	1700 x 800 x 2000	866905
Incomer ACB				
500	2x25kVAr + 3x50kVAr + 3x100kVAr (I/C MCCB)	VCLVW7C20500B6A	1700 x 800 x 2000	914286
600	2x25kVAr + 3x50kVAr + 4x100kVAr	VCLVW7C24600B6A	2100 x 800 x 2000	1043571
700	2x25kVAr + 3x50kVAr + 5x100kVAr	VCLVW7C28700B6A	2200 x 800 x 2000	1182090
750	2x25kVAr + 4x50kVAr + 5x100kVAr	VCLVW7C30750B6A	2200 x 800 x 2000	1259231
800	2x25kVAr + 3x50kVAr + 6x100kVAr	VCLVW7C32800B6A	3000 x 800 x 2000	1333831
900	2x25kVAr + 3x50kVAr + 7x100kVAr	VCLVW7C36900B6A	3000 x 800 x 2000	1449231
1000	2x25kVAr + 1x50kVAr + 9x100kVAr	VCLVW7C40X00B6A	3000 x 800 x 2000	1531538

Note:

- 1) Prices mentioned above are Ex-works Bangalore
- 2) Prices are exclusive of GST
- 3) For any further clarification contact Schneider Electric sales office or Customer Care Center

Harmonic Filtration Equipment- AccuSine



AccuSine SWP

Description	AMPS	Minimum Ordering Quantity (No.)	Reference	Unit LP
AccuSine SWP (Single Unit)				
AccuSine SWP 20A 400V 50-60Hz IP20 Unitary	20	1	PCS020Y4IP20U	Price on request
AccuSine SWP 30A 400V 50-60Hz IP20 Unitary	30	1	PCS030Y4IP20U	Price on request
AccuSine SWP 45A 400V 50-60Hz IP20 Unitary	45	1	PCS045Y4IP20U	Price on request
AccuSine SWP 60A 400V 50-60Hz IP20 Unitary	60	1	PCS060Y4IP20U	Price on request
AccuSine SWP 90A 400V 50-60Hz IP20 Unitary	90	1	PCS090Y4IP20U	Price on request
AccuSine SWP 120A 400V 50-60Hz IP20 Unitary	120	1	PCS120Y4IP20U	Price on request
AccuSine SWP (Parallel Unit application)				
AccuSine SWP 20A 400V 50-60Hz IP20 Parallel	20	1	PCS020Y4IP20P	Price on request
AccuSine SWP 30A 400V 50-60Hz IP20 Parallel	30	1	PCS030Y4IP20P	Price on request
AccuSine SWP 45A 400V 50-60Hz IP20 Parallel	45	1	PCS045Y4IP20P	Price on request
AccuSine SWP 60A 400V 50-60Hz IP20 Parallel	60	1	PCS060Y4IP20P	Price on request
AccuSine SWP 90A 400V 50-60Hz IP20 Parallel	90	1	PCS090Y4IP20P	Price on request
AccuSine SWP 120A 400V 50-60Hz IP20 Parallel	120	1	PCS120Y4IP20P	Price on request

Note: Active Harmonic Filter prices on request



Accusine PCS+

Description	AMPS	Minimum Ordering Quantity (No.)	Reference	Unit LP
AccuSine PCS+				
AccuSine PCS+ 60A 380V- 480V 50- 60Hz , N2	60	1	PCSP060D5N2	Price on request
AccuSine PCS+ 120A 380V - 480V 50- 60Hz N2	120	1	PCSP120D5N2	Price on request
AccuSine PCS+ 200A 380V- 480V 50- 60Hz N2	200	1	PCSP200D5N2	Price on request
AccuSine PCS+ 300A 380V- 480V 50- 60Hz N2	300	1	PCSP300D5N2	Price on request
AccuSine PCS+ 60A 380V-480V 50- 60Hz IP54	60	1	PCSP060D5IP54	Price on request
AccuSine PCS+ 120A 380V-480V 50- 60Hz IP54	120	1	PCSP120D5IP54	Price on request
AccuSine PCS+ 200A 380V- 480V 50- 60Hz IP54	200	1	PCSP200D5IP54	Price on request
AccuSine PCS+ 300A 380V- 480V 50- 60Hz IP54	300	1	PCSP300D5IP54	Price on request

Note: Active Harmonic Filter prices on request

Selection of capacitor (kVAr & Voltage) for Detuned filter Application

EffectivekVAr out put of Detuned Filter @ 440V	Selection of 480V capacitors for 7%/ 5.7% detuned Reactor for 440V	Selection of 525V capacitors for 7%/ 5.7% detuned Reactor for 440V	Selection of 525V capacitors for 14% detuned Reactor for 440V
5	5kVAr 7%/5.7% Reactor + 5.6kVAr, 480V Capacitor	5kVAr 7%/5.7% Reactor + 6.9kVAr, 525V Capacitor	5kVAr 14% Reactor + 6.9kVAr, 525V Capacitor
10	10kVAr 7%/5.7% Reactor + 11.3kVAr, 480V Capacitor	10kVAr 7%/5.7% Reactor + 13.8kVAr, 525V Capacitor	10kVAr 14% Reactor + 12.5kVAr, 525V Capacitor
12.5	12.5kVAr 7%/5.7% Reactor + 14.4kVAr, 480V Capacitor	12.5kVAr 7%/5.7% Reactor + 17.2kVAr, 525V Capacitor	12.5kVAr 14% Reactor + 15.4kVAr, 525V Capacitor
15	15kVAr 7%/5.7% Reactor + 17kVAr, 480V Capacitor	15kVAr 7%/5.7% Reactor + 20.6kVAr, 525V Capacitor	15kVAr 14% Reactor + 18.5kVAr, 525V Capacitor
20	20kVAr 7%/5.7% Reactor + 22.4kVAr, 480V Capacitor	20kVAr 7%/5.7% Reactor + 27.5kVAr, 525V Capacitor	20kVAr 14% Reactor + 25kVAr, 525V Capacitor
25	25kVAr 7%/5.7% Reactor + 28.1kVAr, 480V Capacitor	25kVAr 7%/5.7% Reactor + 33.1kVAr, 525V Capacitor	25kVAr 14% Reactor + 30.6kVAr, 525V Capacitor
50	50kVAr 7%/5.7% Reactor + 2 x 28.1kVAr, 480V Capacitor	50kVAr 7%/5.7% Reactor + 2 x 33.1kVAr, 525V Capacitor	50kVAr 14% Reactor + 2 x 30.6kVAr, 525V Capacitor
75	75kVAr 7%/5.7% Reactor + 3 x 28.1kVAr, 480V Capacitor	75kVAr 7%/5.7% Reactor + 3 x 33.1kVAr, 525V Capacitor	75kVAr 14% Reactor + 3 x 30.6kVAr, 525V Capacitor
100	100kVAr 7%/5.7% Reactor + 4 x 28.1kVAr, 480V Capacitor	100kVAr 7%/5.7% Reactor + 4 x 33.1kVAr, 525V Capacitor	100kVAr 14% Reactor + 4 x 30.6kVAr, 525V Capacitor