

Application :

For use under most climatic conditions & generally for armored cables & outdoor use. These are Weather proof and may be used in the corrosive condition when protected by a shroud.

Technical Data

Materials & Finishes :

M. O. C :

- a. Cable Gland is manufactured in Brass (standard).
- b. Alternative material - Stainless Steel / Aluminium.

Sealing Ring : Neoprene Rubber

Thread :

- a. Glands are supplied with B.S.C. thread (ET) as standard.
- b. Alternative thread forms available are - NPT / PG / BSP / MM etc.

Finish :

- a. Nickel Plated (standard)
- b. Alternative Plating - Tin / Cadmium / Chrome

Protection Class: IP 66 as per IEC 60529:1999

Ref. Standard : BS 6121 : 2005 (BS EN 50262)

Accessories

Shrouds and Earth tags are supplied separately and should be specified when ordering the gland.

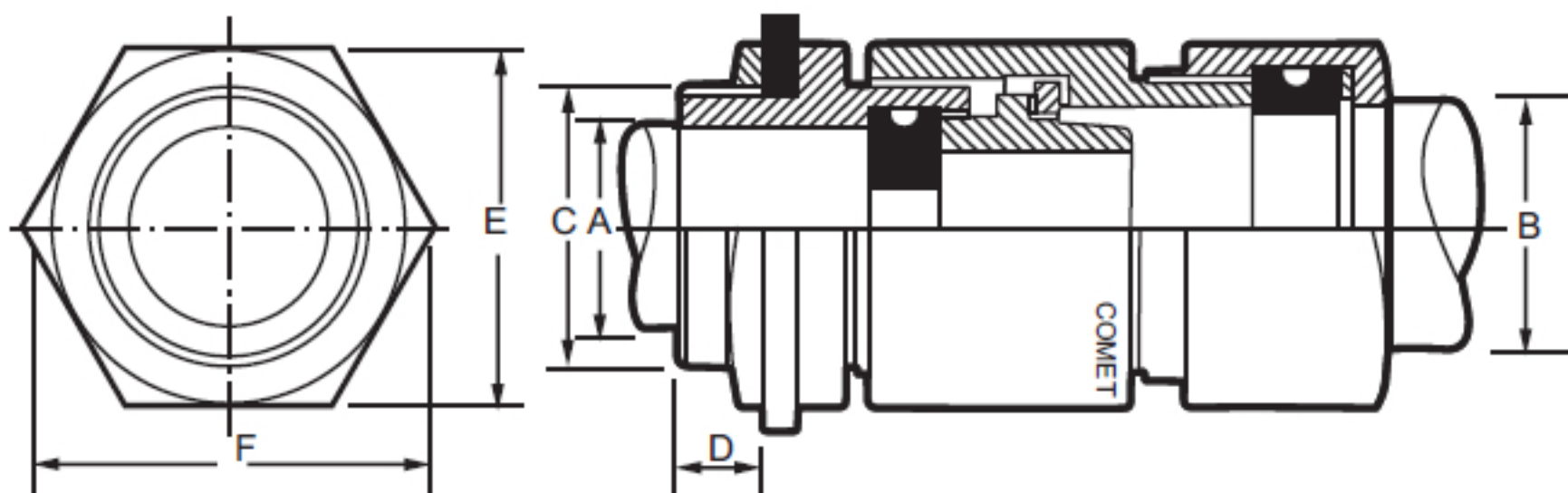
Specifications :

Gland consist of locknut 1, washer 2, armour clamping nut 3, neoprene inner ring 4, armour clamping cone 5, armour clamping ring 6, gland body 7, neoprene outer ring 8, skid washer 9 & outer seal nut 10, All metal parts are made of brass accurately machined for ease of assembly.

Fitting sequence

- 1) Pass item 10,9,8,7 respectively over cable before commencing to strip oversheath.
- 2) Remove the outer sheath and pass item 6 over exposed armour.
- 3) Cut armour to length, lift wire ends, pass item 5 over exposed bedding, and beneath armour.
- 4) Pass item 4.
- 5) Pass cable end through item 3.
- 6) Engage item 7 and 3 and tighten up.
- 7) Engage item 10 and 7 and tighten up.
- 8) Screw item 3, 2 into apparatus (secure with item 1 if plain hole entry.)

COMET Weatherproof Type Double Compression Cable Gland Suitable For Armoured Cables



Cable Dimensions				Gland Dimensions				
CBW SERIES	A (Under armour Dia) mm	B (Over all Dia) mm	Armour diameter mm	Entry Thread		D (Length) mm	E (Across Flat) mm	F (Across Corner) mm
				C (ET)	(MM)			
CBW01SS	8.0	12.0	0.8/1.4	3/4"	M20	15.0	21.5	24.5
CBW01S	11.0	16.5	0.8/1.4	3/4"	M20	15.0	25.0	29.0
CBW01	12.0	18.0	0.8/1.4	3/4"	M20	15.0	28.0	32.0
CBW01A	12.0	18.0	0.8/1.4	1"	M25	15.0	28.0	32.0
CBW02	14.0	20.0	0.8/1.4	1"	M25	15.0	31.5	36.5
CBW02A	14.0	20.0	0.8/1.4	3/4"	M20	15.0	31.5	36.5
CBW03	17.0	23.0	0.8/1.4	1"	M25	15.0	32.0	37.0
CBW04	20.0	26.0	0.8/1.4	1"	M25	15.0	38.0	44.0
CBW04A	20.0	26.0	0.8/1.4	1.1/4"	M32	15.0	38.0	44.0
CBW05	24.0	30.0	0.8/1.4	1.1/4"	M32	15.0	41.0	47.0
CBW05A	24.0	30.0	0.8/1.4	1.1/2"	M40	15.0	41.0	47.0
CBW06	27.0	33.0	0.8/1.4	1.1/2"	M40	15.0	47.0	54.0
CBW06A	27.0	33.0	0.8/1.4	1.1/4"	M32	15.0	47.0	54.0
CBW07	30.0	37.0	0.8/1.4	1.1/2"	M40	15.0	52.0	58.0
CBW08	35.0	41.0	0.8/1.4	2"	M50	15.0	56.0	64.0
CBW09	40.0	46.0	0.8/1.4	2"	M50	15.0	59.0	67.0
CBW010	46.0	52.0	0.8/1.4	2"	M50	20.0	66.5	77.0
CBW010A	46.0	52.0	0.8/1.4	2.1/2"	M63	20.0	66.5	77.0
CBW011S	50.0	56.0	0.8/1.4	2.1/2"	M63	20.0	74.0	85.0
CBW011	54.0	60.0	0.8/1.4	2.1/2"	M63	20.0	80.0	92.0
CBW012	60.0	66.0	0.8/1.4	3"	M75	20.0	85.0	97.0
CBW013A	66.0	72.0	0.8/1.4	3"	M75	20.0	90.0	103.0
CBW013	72.0	78.0	0.8/1.4	3.1/4"	M82	20.0	99.0	113.0
CBW014	78.0	84.0	0.8/1.4	3.1/2"	M90	20.0	105.0	122.0
CBW015	88.0	94.0	0.8/1.4	4"	M100	20.0	117.0	135.0
CBW016	98.0	105.0	0.8/1.4	4.1/2"	M110	20.0	130.0	149.0