

Life Is On

Schneider  
Electric

 PriceList

# LV- Power Quality Products and Equipments

With effect from January 27<sup>th</sup>, 2020

**TECHMECHELEC**  
TECHNICAL MECHANICAL ELECTRICAL



[se.com/in](http://se.com/in)

Techmech Electricals  
1540-A, Bhagirath Palace, Delhi-06  
[techmechelec@yahoo.com](mailto:techmechelec@yahoo.com)

[www.techmech.yolasite.com](http://www.techmech.yolasite.com)



> LV- Power Quality Products and Equipments

**VarPlus Box Xtreme ..... 4**  
 Power Factor Correction Products ..... 5

- Can (Cylindrical) Type 440V Capacitors ..... 5
- Box (Square) Type 440V Capacitors ..... 6
- Detuned Filter Application Capacitors ..... 7

**VarPlus MAX Detuned Reactors ..... 10**  
 ■ Detuned Reactor 440V Range..... 11

**VarPlus MAX Copper Wound Reactors..... 12**  
 ■ Copper Wound Detuned Reactor 440V Range..... 13

**Selection of capacitor (kVAr & Voltage) for  
 Detuned Filter Application ..... 14**

**VarPlus Logic APFC Relay ..... 15**  
 ■ APFC Relays ..... 16  
 ■ Capacitor Duty Contactors (AC Control) ..... 16

**Power Factor Correction Equipment – VarSet..... 17**  
 ■ VarSet LV APFC panels without reactors ..... 18  
 ■ VarSet LV APFC panels with 7% reactors ..... 19

**Accusine PCS+ ..... 20**

**AccusinePCSn ..... 21**

**Active Harmonic Filtering Solutions..... 22**  
 ■ AccuSine PCS+ ..... 22  
 ■ AccuSine PCSn ..... 22





# VarPlus Box Xtreme

Built to perform in **Xtreme** conditions

- Designed for 60°C, offers 60% more life than products designed at 55°C
- Tested to perform 150,000 hrs life in standard operating conditions
- Xtreme inrush withstand of 350 x In
- Designed to work in Xtreme environments

**New**



[se.com/in](https://www.se.com/in)

[www.techmech.yolasite.com](http://www.techmech.yolasite.com)

# Power Factor Correction Products



Can (Cylindrical) Type 440V Capacitors

Description	kVAr Rating	Minimum Ordering Quantity (No.)	Reference	Unit LP [₹]
<b>EasyCan (S Duty) 440V Range</b>				
MPP - Standard Duty Can 3Ph 1kVAr 440V 50Hz	1	3	MEHVCSDY010A44 <input checked="" type="checkbox"/>	456
MPP - Standard Duty Can 3Ph 2kVAr 440V 50Hz	2	3	MEHVCSDY020A44 <input checked="" type="checkbox"/>	634
MPP - Standard Duty Can 3Ph 3kVAr 440V 50Hz	3	3	MEHVCSDY030A44 <input checked="" type="checkbox"/>	952
MPP - Standard Duty Can 3Ph 4kVAr 440V 50Hz	4	3	MEHVCSDY040A44 <input checked="" type="checkbox"/>	1271
MPP - Standard Duty Can 3Ph 5kVAr 440V 50Hz	5	3	MEHVCSDY050A44 <input checked="" type="checkbox"/>	1212
MPP - Standard Duty Can 3Ph 7.5kVAr 440V 50Hz	7.5	3	MEHVCSDY075A44 <input checked="" type="checkbox"/>	1820
MPP - Standard Duty Can 3Ph 10kVAr 440V 50Hz	10	1	MEHVCSDY100A44 <input checked="" type="checkbox"/>	2127
MPP - Standard Duty Can 3Ph 12.5kVAr 440V 50Hz	12.5	1	MEHVCSDY125A44 <input checked="" type="checkbox"/>	2658
MPP - Standard Duty Can 3Ph 15kVAr 440V 50Hz	15	1	MEHVCSDY150A44 <input checked="" type="checkbox"/>	3188
MPP - Standard Duty Can 3Ph 20kVAr 440V 50Hz	20	1	MEHVCSDY200A44 <input checked="" type="checkbox"/>	4250
MPP - Standard Duty Can 3Ph 25kVAr 440V 50Hz	25	1	MEHVCSDY250A44 <input checked="" type="checkbox"/>	5314
<b>VarPlus Can (H Duty) 440V Range</b>				
MPP - Heavy Duty Can 3Ph 1kVAr 440V 50Hz	1	3	MEHVCHDY010A44 <input checked="" type="checkbox"/>	609
MPP - Heavy Duty Can 3Ph 2kVAr 440V 50Hz	2	3	MEHVCHDY020A44 <input checked="" type="checkbox"/>	953
MPP - Heavy Duty Can 3Ph 3kVAr 440V 50Hz	3	3	MEHVCHDY030A44 <input checked="" type="checkbox"/>	1430
MPP - Heavy Duty Can 3Ph 4kVAr 440V 50Hz	4	3	MEHVCHDY040A44 <input checked="" type="checkbox"/>	1906
MPP - Heavy Duty Can 3Ph 5kVAr 440V 50Hz	5	3	MEHVCHDY050A44 <input checked="" type="checkbox"/>	1933
MPP - Heavy Duty Can 3Ph 7.5kVAr 440V 50Hz	7.5	3	MEHVCHDY075A44 <input checked="" type="checkbox"/>	2901
MPP - Heavy Duty Can 3Ph 10kVAr 440V 50Hz	10	1	MEHVCHDY100A44 <input checked="" type="checkbox"/>	3628
MPP - Heavy Duty Can 3Ph 12.5kVAr 440V 50Hz	12.5	1	MEHVCHDY125A44 <input checked="" type="checkbox"/>	4536
MPP - Heavy Duty Can 3Ph 15kVAr 440V 50Hz	15	1	MEHVCHDY150A44 <input checked="" type="checkbox"/>	5441
MPP - Heavy Duty Can 3Ph 20kVAr 440V 50Hz	20	1	MEHVCHDY200A44 <input checked="" type="checkbox"/>	7256
MPP - Heavy Duty Can 3Ph 25kVAr 440V 50Hz	25	1	MEHVCHDY250A44 <input checked="" type="checkbox"/>	9069
MPP - Heavy Duty Can 3Ph 30kVAr 440V 50Hz	30	1	MEHVCHDY300A44 <input checked="" type="checkbox"/>	10882
MPP - Heavy Duty Can 3Ph 40kVAr 440V 50Hz (Single unit with IP00)	40	1	MEHVCHDY400A44 <input checked="" type="checkbox"/>	14137
MPP - Heavy Duty Can 3Ph 50kVAr 440V 50Hz (Single unit with IP00)	50	1	MEHVCHDY500A44 <input checked="" type="checkbox"/>	17672
<b>VarPlus Can (GH Duty) 440V Range</b>				
MPP - Gas Heavy Duty Can 3Ph 5kVAr 440V 50Hz	5	3	MEHVCGSF050A44 <input checked="" type="checkbox"/>	2040
MPP - Gas Heavy Duty Can 3Ph 7.5kVAr 440V 50Hz	7.5	3	MEHVCGSF075A44	3057
MPP - Gas Heavy Duty Can 3Ph 10kVAr 440V 50Hz	10	1	MEHVCGSF100A44 <input checked="" type="checkbox"/>	3771
MPP - Gas Heavy Duty Can 3Ph 12.5kVAr 440V 50Hz	12.5	1	MEHVCGSF125A44	4711
MPP - Gas Heavy Duty Can 3Ph 15kVAr 440V 50Hz	15	1	MEHVCGSF150A44 <input checked="" type="checkbox"/>	5652
MPP - Gas Heavy Duty Can 3Ph 20kVAr 440V 50Hz	20	1	MEHVCGSF200A44 <input checked="" type="checkbox"/>	7538
MPP - Gas Heavy Duty Can 3Ph 25kVAr 440V 50Hz	25	1	MEHVCGSF250A44 <input checked="" type="checkbox"/>	9421
MPP - Gas Heavy Duty Can 3Ph 30kVAr 440V 50Hz	30	1	MEHVCGSF300A44 <input checked="" type="checkbox"/>	11300
MPP - Gas Heavy Duty Can 3Ph 40kVAr 440V 50Hz (Single unit with IP00)	40	1	MEHVCGSF400A44	14629
MPP - Gas Heavy Duty Can 3Ph 50kVAr 440V 50Hz (Single unit with IP00)	50	1	MEHVCGSF500A44 <input checked="" type="checkbox"/>	18284

# Power Factor Correction Products



Box (Square) Type 440V Capacitors

Description	kVAR Rating	Minimum Ordering Quantity (No.)	Reference	Unit LP [₹]
<b>VarPlus Box Xtreme H Duty 440V Range</b> <span style="background-color: green; color: white; padding: 2px;">New</span>				
MPP - Xtreme Heavy Duty Box 3Ph 5kVAr 440V 50Hz	5	1	MEHVBHDY050A44 <input checked="" type="checkbox"/>	2552
MPP - Xtreme Heavy Duty Box 3Ph 7.5kVAr 440V 50Hz	7.5	1	MEHVBHDY075A44	3826
MPP - Xtreme Heavy Duty Box Box 3Ph 10kVAr 440V 50Hz	10	1	MEHVBHDY100A44 <input checked="" type="checkbox"/>	4358
MPP - Xtreme Heavy Duty Box 3Ph 12.5kVAr 440V 50Hz	12.5	1	MEHVBHDY125A44	5457
MPP - Xtreme Heavy Duty Box 3Ph 15kVAr 440V 50Hz	15	1	MEHVBHDY150A44 <input checked="" type="checkbox"/>	6547
MPP - Xtreme Heavy Duty Box 3Ph 20kVAr 440V 50Hz	20	1	MEHVBHDY200A44 <input checked="" type="checkbox"/>	8727
MPP - Xtreme Heavy Duty Box 3Ph 25kVAr 440V 50Hz	25	1	MEHVBHDY250A44 <input checked="" type="checkbox"/>	10910
MPP - Xtreme Heavy Duty Box 3Ph 30kVAr 440V 50Hz	30	1	MEHVBHDY300A44	13092
<b>VarPlus Box Energy (MD-XL) 440V Range</b>				
Energy - MD-XL Box 3Ph 5kVAr 440V 50 Hz	5	1	MEHVBENY050A44 <input checked="" type="checkbox"/>	4168
Energy - MD-XL Box 3Ph 7.5kVAr 440V 50 Hz	7.5	1	MEHVBENY075A44	6312
Energy - MD-XL Box 3Ph 10kVAr 440V 50 Hz	10	1	MEHVBENY100A44 <input checked="" type="checkbox"/>	7959
Energy - MD-XL Box 3Ph 12.5kVAr 440V 50Hz	12.5	1	MEHVBENY125A44	9954
Energy - MD-XL Box 3Ph 15kVAr 440V 50 Hz	15	1	MEHVBENY150A44 <input checked="" type="checkbox"/>	11925
Energy - MD-XL Box 3Ph 20kVAr 440V 50 Hz	20	1	MEHVBENY200A44 <input checked="" type="checkbox"/>	15900
Energy - MD-XL Box 3Ph 25kVAr 440V 50 Hz	25	1	MEHVBENY250A44 <input checked="" type="checkbox"/>	19906
<b>VarPlus Box APP 440V Range</b>				
APP - Box 3Ph 5kVAr 440V 50Hz	5	1	MEHVBAPP050A44 <input checked="" type="checkbox"/>	3772
APP - Box 3Ph 7.5kVAr 440V 50Hz	7.5	1	MEHVBAPP075A44 <input checked="" type="checkbox"/>	5659
APP - Box 3Ph 10kVAr 440V 50Hz	10	1	MEHVBAPP100A44 <input checked="" type="checkbox"/>	6619
APP - Box 3Ph 12.5kVAr 440V 50Hz	12.5	1	MEHVBAPP125A44 <input checked="" type="checkbox"/>	8275
APP - Box 3Ph 15kVAr 440V 50Hz	15	1	MEHVBAPP150A44 <input checked="" type="checkbox"/>	9931
APP - Box 3Ph 20kVAr 440V 50Hz	20	1	MEHVBAPP200A44 <input checked="" type="checkbox"/>	13241
APP - Box 3Ph 25kVAr 440V 50Hz	25	1	MEHVBAPP250A44 <input checked="" type="checkbox"/>	16551
APP - Box 3Ph 30kVAr 440V 50Hz	30	1	MEHVBAPP300A44	19897

# Power Factor Correction Products



## Detuned Filter Application Capacitors

Description	kVAR Rating	Minimum Ordering Quantity (No.)	Reference	Unit LP
<b>* Capacitors for 7%/5.7% , 440V Detuned Filter Application</b>				
<b>VarPlus Can (H Duty) 480V Range</b>				
MPP - Heavy Duty Can 3Ph 5.6kVAR 480V 50Hz	5.6	1	MEHVCHDY056A48 <input checked="" type="checkbox"/>	2164
MPP - Heavy Duty Can 3Ph 6.7kVAR 480V 50Hz	6.7	1	MEHVCHDY067A48	2590
MPP - Heavy Duty Can 3Ph 11.3kVAR 480V 50Hz	11.3	1	MEHVCHDY113A48 <input checked="" type="checkbox"/>	4094
MPP - Heavy Duty Can 3Ph 12.5kVAR 480V 50Hz	12.5	1	MEHVCHDY125A48	4529
MPP - Heavy Duty Can 3Ph 14.4kVAR 480V 50Hz	14.4	1	MEHVCHDY144A48	5223
MPP - Heavy Duty Can 3Ph 15.5kVAR 480V 50Hz	15.5	1	MEHVCHDY155A48	5621
MPP - Heavy Duty Can 3Ph 17kVAR 480V 50Hz	17	1	MEHVCHDY170A48 <input checked="" type="checkbox"/>	6168
MPP - Heavy Duty Can 3Ph 19kVAR 480V 50Hz	19	1	MEHVCHDY190A48	6893
MPP - Heavy Duty Can 3Ph 22.4kVAR 480V 50Hz	22.4	1	MEHVCHDY224A48 <input checked="" type="checkbox"/>	8125
MPP - Heavy Duty Can 3Ph 25kVAR 480V 50Hz	25	1	MEHVCHDY250A48 <input checked="" type="checkbox"/>	9070
MPP - Heavy Duty Can 3Ph 28.1kVAR 480V 50Hz	28.1	1	MEHVCHDY281A48 <input checked="" type="checkbox"/>	10184
MPP - Heavy Duty Can 3Ph 31.5kVAR 480V 50Hz	31.5	1	MEHVCHDY315A48 <input checked="" type="checkbox"/>	11417
<b>VarPlus Can (GH Duty) 480V Range</b>				
MPP - GasHeavy Duty Can 3Ph 5.6kVAR 480V 50Hz	5.6	1	MEHVCGSF056A48 <input checked="" type="checkbox"/>	2283
MPP - GasHeavy Duty Can 3Ph 6.7kVAR 480V 50Hz	6.7	1	MEHVCGSF067A48	2732
MPP - GasHeavy Duty Can 3Ph 11.3kVAR 480V 50Hz	11.3	1	MEHVCGSF113A48 <input checked="" type="checkbox"/>	4256
MPP - GasHeavy Duty Can 3Ph 12.5kVAR 480V 50Hz	12.5	1	MEHVCGSF125A48	4707
MPP - GasHeavy Duty Can 3Ph 14.4kVAR 480V 50Hz	14.4	1	MEHVCGSF144A48	5518
MPP - GasHeavy Duty Can 3Ph 15.5kVAR 480V 50Hz	15.5	1	MEHVCGSF155A48	5838
MPP - GasHeavy Duty Can 3Ph 17kVAR 480V 50Hz	17	1	MEHVCGSF170A48 <input checked="" type="checkbox"/>	6404
MPP - GasHeavy Duty Can 3Ph 22.4kVAR 480V 50Hz	22.4	1	MEHVCGSF224A48 <input checked="" type="checkbox"/>	8437
MPP - GasHeavy Duty Can 3Ph 25kVAR 480V 50Hz	25	1	MEHVCGSF250A48 <input checked="" type="checkbox"/>	9416
MPP - GasHeavy Duty Can 3Ph 28.1kVAR 480V 50Hz	28.1	1	MEHVCGSF281A48 <input checked="" type="checkbox"/>	10622
MPP - GasHeavy Duty Can 3Ph 31.5kVAR 480V 50Hz	31.5	1	MEHVCGSF315A48 <input checked="" type="checkbox"/>	11908
<b>VarPlus Box Xtreme H Duty 480V Range <span style="background-color: green; color: white; padding: 2px;">New</span></b>				
MPP - Xtreme Heavy Duty Box 3Ph 5.6kVAR 480V 50Hz	5.6	1	MEHVBHDY056A48	2858
MPP - Xtreme Heavy Duty Box 3Ph 11.3kVAR 480V 50Hz	11.3	1	MEHVBHDY113A48 <input checked="" type="checkbox"/>	4931
MPP - Xtreme Heavy Duty Box 3Ph 14.4kVAR 480V 50Hz	14.4	1	MEHVBHDY144A48	6374
MPP - Xtreme Heavy Duty Box 3Ph 17kVAR 480V 50Hz	17	1	MEHVBHDY170A48	7416
MPP - Xtreme Heavy Duty Box 3Ph 22.4kVAR 480V 50Hz	22.4	1	MEHVBHDY224A48	9735
MPP - Xtreme Heavy Duty Box 3Ph 25kVAR 480V 50Hz	25	1	MEHVBHDY250A48 <input checked="" type="checkbox"/>	10868
MPP - Xtreme Heavy Duty Box 3Ph 28.1kVAR 480V 50Hz	28.1	1	MEHVBHDY281A48 <input checked="" type="checkbox"/>	12214
MPP - Xtreme Heavy Duty Box 3Ph 31.5kVAR 480V 50Hz	31.5	1	MEHVBHDY315A48	13691
<b>VarPlus Box Energy (MD-XL) 480V Range</b>				
Energy - MD-XL Box 3Ph 5.6kVAR 480V 50 Hz	5.6	1	MEHVBENY056A48	4663
Energy - MD-XL Box 3Ph 6.7kVAR 480V 50 Hz	6.7	1	MEHVBENY067A48	5633
Energy - MD-XL Box 3Ph 11.3kVAR 480V 50 Hz	11.3	1	MEHVBENY113A48 <input checked="" type="checkbox"/>	8991
Energy - MD-XL Box 3Ph 14.4kVAR 480V 50 Hz	14.4	1	MEHVBENY144A48	11465
Energy - MD-XL Box 3Ph 15.5kVAR 480V 50 Hz	15.5	1	MEHVBENY155A48	12460
Energy - MD-XL Box 3Ph 17kVAR 480V 50 Hz	17	1	MEHVBENY170A48	13535
Energy - MD-XL Box 3Ph 22.4kVAR 480V 50 Hz	22.4	1	MEHVBENY224A48	17836
Energy - MD-XL Box 3Ph 25.0kVAR 480V 50 Hz	25	1	MEHVBENY250A48	19914
Energy - MD-XL Box 3Ph 28.1kVAR 480V 50 Hz	28.1	1	MEHVBENY281A48 <input checked="" type="checkbox"/>	22383

\* Refer to Selection chart for Reactors & Capacitors available on page 14

NORMAL STOCK ITEMS

W.E.F. January 27<sup>th</sup>, 2020



# Power Factor Correction Products



## Detuned Filter Application Capacitors

Description	kVAr Rating	Minimum Ordering Quantity (No.)	Reference	Unit LP
<b>VarPlus Box APP 480V Range</b>				
APP - Box 3Ph 5.6kVAr 480V 50Hz	5.6	1	MEHVBAPP056A48 <input checked="" type="checkbox"/>	4219
APP - Box 3Ph 6.7kVAr 480V 50Hz	6.7	1	MEHVBAPP067A48	5105
APP - Box 3Ph 11.3kVAr 480V 50Hz	11.3	1	MEHVBAPP113A48 <input checked="" type="checkbox"/>	7491
APP - Box 3Ph 12.5kVAr 480V 50Hz	12.5	1	MEHVBAPP125A48	8287
APP - Box 3Ph 14.4kVAr 480V 50Hz	14.4	1	MEHVBAPP144A48	9546
APP - Box 3Ph 15.5kVAr 480V 50Hz	15.5	1	MEHVBAPP155A48	10263
APP - Box 3Ph 17kVAr 480V 50Hz	17	1	MEHVBAPP170A48	11284
APP - Box 3Ph 22.4kVAr 480V 50Hz	22.4	1	MEHVBAPP224A48 <input checked="" type="checkbox"/>	14867
APP - Box 3Ph 25kVAr 480V 50Hz	25	1	MEHVBAPP250A48 <input checked="" type="checkbox"/>	16555
APP - Box 3Ph 28.1kVAr 480V 50Hz	28.1	1	MEHVBAPP281A48 <input checked="" type="checkbox"/>	18606
APP - Box 3Ph 31.5kVAr 480V 50Hz	31.5	1	MEHVBAPP315A48	20859
<b>* Capacitors for 7%/ 5.7%/ 14% , 440V Filter Application</b>				
<b>VarPlus Can (H Duty) 525V Range</b>				
MPP - Heavy Duty Can 3Ph 6.9kVAr 525V 50Hz	6.9	1	MEHVCHDY069A52 <input checked="" type="checkbox"/>	2670
MPP - Heavy Duty Can 3Ph 12.5kVAr 525V 50Hz	12.5	1	MEHVCHDY125A52 <input checked="" type="checkbox"/>	4532
MPP - Heavy Duty Can 3Ph 13.8kVAr 525V 50Hz	13.8	1	MEHVCHDY138A52 <input checked="" type="checkbox"/>	5004
MPP - Heavy Duty Can 3Ph 15.4kVAr 525V 50Hz	15.4	1	MEHVCHDY154A52 <input checked="" type="checkbox"/>	5583
MPP - Heavy Duty Can 3Ph 17.2kVAr 525V 50Hz	17.2	1	MEHVCHDY172A52	6239
MPP - Heavy Duty Can 3Ph 18.5kVAr 525V 50Hz	18.5	1	MEHVCHDY185A52	6708
MPP - Heavy Duty Can 3Ph 20.6kVAr 525V 50Hz	20.6	1	MEHVCHDY206A52 <input checked="" type="checkbox"/>	7469
MPP - Heavy Duty Can 3Ph 22.6kVAr 525V 50Hz	22.6	1	MEHVCHDY226A52	8195
MPP - Heavy Duty Can 3Ph 25kVAr 525V 50Hz	25	1	MEHVCHDY250A52 <input checked="" type="checkbox"/>	9069
MPP - Heavy Duty Can 3Ph 27.5kVAr 525V 50Hz	27.5	1	MEHVCHDY275A52	9975
MPP - Heavy Duty Can 3Ph 30.6kVAr 525V 50Hz	30.6	1	MEHVCHDY306A52 <input checked="" type="checkbox"/>	11098
MPP - Heavy Duty Can 3Ph 33.1kVAr 525V 50Hz	33.1	1	MEHVCHDY331A52 <input checked="" type="checkbox"/>	12052
MPP-Heavy Duty Can 3Ph 37.7 kVAr 525V 50Hz	37.7	1	MEHVCHDY377A52 <input checked="" type="checkbox"/>	13661
<b>VarPlus Can (GH Duty) 525V Range</b>				
MPP - GasHeavy Duty Can 3Ph 6.9kVAr 525V 50Hz	6.9	1	MEHVCGSF069A52	2820
MPP - GasHeavy Duty Can 3Ph 12.5kVAr 525V 50Hz	12.5	1	MEHVCGSF125A52	4723
MPP - GasHeavy Duty Can 3Ph 13.8kVAr 525V 50Hz	13.8	1	MEHVCGSF138A52	5214
MPP - GasHeavy Duty Can 3Ph 15.4kVAr 525V 50Hz	15.4	1	MEHVCGSF154A52	5780
MPP - GasHeavy Duty Can 3Ph 17.2kVAr 525V 50Hz	17.2	1	MEHVCGSF172A52	6506
MPP - GasHeavy Duty Can 3Ph 18.5kVAr 525V 50Hz	18.5	1	MEHVCGSF185A52	6960
MPP - GasHeavy Duty Can 3Ph 20.6kVAr 525V 50Hz	20.6	1	MEHVCGSF206A52 <input checked="" type="checkbox"/>	7791
MPP - GasHeavy Duty Can 3Ph 25kVAr 525V50Hz	25	1	MEHVCGSF250A52	9449
MPP - GasHeavy Duty Can 3Ph 27.5kVAr 525V50Hz	27.5	1	MEHVCGSF275A52	10403
MPP - GasHeavy Duty Can 3Ph 30.6kVAr 525V50Hz	30.6	1	MEHVCGSF306A52	11573
MPP - GasHeavy Duty Can 3Ph 33.1kVAr 525V50Hz	33.1	1	MEHVCGSF331A52 <input checked="" type="checkbox"/>	12520
MPP - GasHeavy Duty Can 3Ph 37.7kVAr 525V50Hz	37.7	1	MEHVCGSF377A52	14230

\* Refer to Selection chart for Reactors & Capacitors available on page 14



# Power Factor Correction Products



## Detuned Filter Application Capacitors

Description	kVAr Rating	Minimum Ordering Quantity (No.)	Reference	Unit LP
<b>VarPlus Box Xtreme H Duty 525V Range <span style="color: green; font-weight: bold;">New</span></b>				
MPP - Xtreme Heavy Duty Box 3Ph 6.9kVAr 525V 50Hz	6.9	1	MEHVBHDY069A52	3007
MPP - Xtreme Heavy Duty Box 3Ph 12.5kVAr 525V 50Hz	12.5	1	MEHVBHDY125A52	5437
MPP - Xtreme Heavy Duty Box 3Ph 13.8kVAr 525V 50Hz	13.8	1	MEHVBHDY138A52	6013
MPP - Xtreme Heavy Duty Box 3Ph 15.4kVAr 525V 50Hz	15.4	1	MEHVBHDY154A52	6710
MPP - Xtreme Heavy Duty Box 3Ph 20.6kVAr 525V 50Hz	20.6	1	MEHVBHDY206A52 <input checked="" type="checkbox"/>	8978
MPP - Xtreme Heavy Duty Box 3Ph 25kVAr 525V 50Hz	25	1	MEHVBHDY250A52 <input checked="" type="checkbox"/>	10910
MPP - Xtreme Heavy Duty Box 3Ph 27.5kVAr 525V 50Hz	27.5	1	MEHVBHDY275A52	11994
MPP - Xtreme Heavy Duty Box 3Ph 30.6kVAr 525V 50Hz	30.6	1	MEHVBHDY306A52	13304
MPP - Xtreme Heavy Duty Box 3Ph 33.1kVAr 525V 50Hz	33.1	1	MEHVBHDY331A52 <input checked="" type="checkbox"/>	14439
MPP - Xtreme Heavy Duty Box 3Ph 37.7kVAr 525V 50Hz	37.7	1	MEHVBHDY377A52	16390
<b>VarPlus Box Energy (MD - XL) 525V Range</b>				
Energy - MD-XL Box 3Ph 6.9kVAr 525V 50 Hz	6.9	1	MEHVBENY069A52	5745
Energy - MD-XL Box 3Ph 12.5kVAr 525V 50 Hz	12.5	1	MEHVBENY125A52	10038
Energy - MD-XL Box 3Ph 13.8kVAr 525V 50 Hz	13.8	1	MEHVBENY138A52	10989
Energy - MD-XL Box 3Ph 20.6kVAr 525V 50 Hz	20.6	1	MEHVBENY206A52	16379
Energy - MD-XL Box 3Ph 25kVAr 525V 50 Hz	25	1	MEHVBENY250A52	19892
Energy - MD-XL Box 3Ph 30.6kVAr 525V 50 Hz	30.6	1	MEHVBENY306A52	24337
Energy - MD-XL Box 3Ph 33.1kVAr 525V 50 Hz	33.1	1	MEHVBENY331A52 <input checked="" type="checkbox"/>	26314
Energy - MD-XL Box 3Ph 37.7kVAr 525V 50 Hz	37.7	1	MEHVBENY377A52	30269
<b>VarPlus Box APP 525V Range</b>				
APP - Box 3Ph 6.9kVAr 525V 50Hz	6.9	1	MEHVBAPP069A52	5198
APP - Box 3Ph 12.5kVAr 525V 50Hz	12.5	1	MEHVBAPP125A52	8276
APP - Box 3Ph 13.8kVAr 525V 50Hz	13.8	1	MEHVBAPP138A52	9133
APP - Box 3Ph 15.4kVAr 525V 50Hz	15.4	1	MEHVBAPP154A52	10192
APP - Box 3Ph 17.2kVAr 525V 50Hz	17.2	1	MEHVBAPP172A52	11406
APP - Box 3Ph 20.6kVAr 525V 50Hz	20.6	1	MEHVBAPP206A52 <input checked="" type="checkbox"/>	13641
APP - Box 3Ph 22.6kVAr 525V 50Hz	22.6	1	MEHVBAPP226A52	15137
APP - Box 3Ph 25kVAr 525V 50Hz	25	1	MEHVBAPP250A52 <input checked="" type="checkbox"/>	16557
APP - Box 3Ph 27.5kVAr 525V 50Hz	27.5	1	MEHVBAPP275A52	18211
APP - Box 3Ph 30.6kVAr 525V 50Hz	30.6	1	MEHVBAPP306A52	20497
APP - Box 3Ph 33.1kVAr 525V 50Hz	33.1	1	MEHVBAPP331A52 <input checked="" type="checkbox"/>	21917
APP - Box 3Ph 37.7kVAr 525V 50Hz	37.7	1	MEHVBAPP377A52	25253

Refer to Selection chart for Reactors & Capacitors available on page 14

NORMAL STOCK ITEMS

W.E.F. January 27<sup>th</sup>, 2020



# VarPlus MAX Detuned Reactors

MAXimize Efficiency  
MAXimize Savings



[se.com/in](https://se.com/in)

[www.techmech.yolasite.com](http://www.techmech.yolasite.com)

# PFC - Detuned Reactors



## VarPlus MAX Detuned Reactors

- **MAXimize your selection**
  - Wide range available in Aluminium windings (Copper windings option available On Request)
- **MAXimize your OPEX optimization**
  - Up to 30% lower losses to reduce your OPEX
- **MAXimize your thermal efficiency**
  - Up to 20% lower working temperatures
- **MAXimize your operational efficiency**
  - Design current up to 1.3 x Rated Current
  - Saturation current limit up to 2.0 x Rated Current
  - Designed for Harsh environments (Maximum voltage harmonic limit up to 9%)

## Detuned Reactor 440V Range

Description	kVAr Rating	Minimum Ordering Quantity (No.)	Reference	Unit LP
<b>VarPlus MAX Detuned Reactor 5.7%, 440V Range</b>				
VarPlus MAX AL Detuned reactor 5 kVAr 440V 5.7 % 50Hz	5	1	LVR05050A44LO	10549
VarPlus MAX AL Detuned reactor 10 kVAr 440V 5.7 % 50Hz	10	1	LVR05100A44LO	15249
VarPlus MAX AL Detuned reactor 12.5 kVAr 440V 5.7 % 50Hz	12.5	1	LVR05125A44LO	17438
VarPlus MAX AL Detuned reactor 15 kVAr 440V 5.7 % 50Hz	15	1	LVR05150A44LO	19118
VarPlus MAX AL Detuned reactor 20 kVAr 440V 5.7 % 50Hz	20	1	LVR05200A44LO	20292
VarPlus MAX AL Detuned reactor 25 kVAr 440V 5.7 % 50Hz	25	1	LVR05250A44LO	18760
VarPlus MAX AL Detuned reactor 50 kVAr 440V 5.7 % 50Hz	50	1	LVR05500A44LO	31371
VarPlus MAX AL Detuned reactor 100 kVAr 440V 5.7 % 50Hz	100	1	LVR05X00A44LO	63649
<b>VarPlus MAX Detuned Reactor 7%, 440V Range</b>				
VarPlus MAX AL Detuned reactor 5 kVAr 440V 7% 50Hz	5	1	LVR07050A44LO	9114
VarPlus MAX AL Detuned reactor 10 kVAr 440V 7% 50Hz	10	1	LVR07100A44LO	13172
VarPlus MAX AL Detuned reactor 12.5 kVAr 440V 7% 50Hz	12.5	1	LVR07125A44LO	15062
VarPlus MAX AL Detuned reactor 15 kVAr 440V 7% 50Hz	15	1	LVR07150A44LO	15972
VarPlus MAX AL Detuned reactor 20 kVAr 440V 7% 50Hz	20	1	LVR07200A44LO	16953
VarPlus MAX AL Detuned reactor 25 kVAr 440V 7% 50Hz	25	1	LVR07250A44LO	14945
VarPlus MAX AL Detuned reactor 50 kVAr 440V 7% 50Hz	50	1	LVR07500A44LO	26189
VarPlus MAX AL Detuned reactor 75 kVAr 440V 7% 50Hz	75	1	LVR07750A44LO	40848
VarPlus MAX AL Detuned reactor 100 kVAr 440V 7% 50Hz	100	1	LVR07X00A44LO	52909
<b>VarPlus MAX Detuned Reactor 14%, 440V Range</b>				
VarPlus MAX AL Detuned reactor 10 kVAr 440V 14 % 50Hz	10	1	LVR14100A44LO	14152
VarPlus MAX AL Detuned reactor 15 kVAr 440V 14 % 50Hz	15	1	LVR14150A44LO	24383
VarPlus MAX AL Detuned reactor 25 kVAr 440V 14 % 50Hz	25	1	LVR14250A44LO	25933
VarPlus MAX AL Detuned reactor 50 kVAr 440V 14 % 50Hz	50	1	LVR14500A44LO	43256
VarPlus MAX AL Detuned reactor 100 kVAr 440V 14 % 50Hz	100	1	LVR14X00A44LO	89453





# Introducing VarPlus MAX Copper Wound Reactors



[se.com/in](https://se.com/in)

[www.techmech.yolasite.com](http://www.techmech.yolasite.com)




# Copper Wound Detuned Reactor



## VarPlus Copper Detuned Reactors

- **MAXimize your selection**
  - Wide range available in Copper windings.
- **MAXimize your OPEX optimization**
  - Up to 30% lower losses to reduce your OPEX
- **MAXimize your thermal efficiency**
  - Up to 20% lower working temperatures
- **MAXimize your operational efficiency**
  - Design current up to 1.3 x Rated Current
  - Saturation current limit up to 2.0 x Rated Current
  - Designed for Harsh environments (Maximum voltage harmonic limit up to 9%)

## Copper Wound Detuned Reactor 440V Range

Description	kVAr Rating	Minimum Ordering Quantity (No.)	Reference	Unit LP 
<b>Varplus Copper Detuned Reactor 5.7%, 440V Range</b>				
DetunedReactor CU 5kVAr 440V 5.7% 50Hz	5	1	LVR05050A44CU	11721
DetunedReactor CU 10kVAr 440V 5.7% 50Hz	10	1	LVR05100A44CU	17679
DetunedReactor CU 12.5kVAr 440V 5.7% 50Hz	12.5	1	LVR05125A44CU	21902
DetunedReactor CU 15kVAr 440V 5.7% 50Hz	15	1	LVR05150A44CU	25010
DetunedReactor CU 20kVAr 440V 5.7% 50Hz	20	1	LVR05200A44CU	26546
DetunedReactor CU 25kVAr 440V 5.7% 50Hz	25	1	LVR05250A44CU	26676
DetunedReactor CU 50kVAr 440V 5.7% 50Hz	50	1	LVR05500A44CU	44607
DetunedReactor CU 100kVAr 440V 5.7% 50Hz	100	1	LVR05X00A44CU	83264
<b>Varplus Copper Detuned Reactor 7%, 440V Range</b>				
DetunedReactor CU 5kVAr 440V 7% 50Hz	5	1	LVR07050A44CU	10275
DetunedReactor CU 10kVAr 440V 7% 50Hz	10	1	LVR07100A44CU	16788
DetunedReactor CU 12.5kVAr 440V 7% 50Hz	12.5	1	LVR07125A44CU	19290
DetunedReactor CU 15kVAr 440V 7% 50Hz	15	1	LVR07150A44CU	20356
DetunedReactor CU 20kVAr 440V 7% 50Hz	20	1	LVR07200A44CU	21608
DetunedReactor CU 25kVAr 440V 7% 50Hz	25	1	LVR07250A44CU	24909
DetunedReactor CU 50kVAr 440V 7% 50Hz	50	1	LVR07500A44CU	42365
DetunedReactor CU 100kVAr 440V 7% 50Hz	100	1	LVR07X00A44CU	77808
<b>Varplus Copper Detuned Reactor 14%, 440V Range</b>				
DetunedReactor CU 10kVAr 440V 14% 50Hz	10	1	LVR14100A44CU	20510
DetunedReactor CU 15kVAr 440V 14% 50Hz	15	1	LVR14150A44CU	30155
DetunedReactor CU 25kVAr 440V 14% 50Hz	25	1	LVR14250A44CU	39896
DetunedReactor CU 50kVAr 440V 14% 50Hz	50	1	LVR14500A44CU	66548
DetunedReactor CU 100kVAr 440V 14% 50Hz	100	1	LVR14X00A44CU	117020

# Selection of capacitor (kVAr & Voltage) for Detuned filter Application

Effective kVAr output of Detuned Filter @ 440V	Selection of 480V capacitors for 7%/ 5.7% detuned Reactor for 440V	Selection of 525V capacitors for 7%/ 5.7% detuned Reactor for 440V	Selection of 525V capacitors for 14% detuned Reactor for 440V
5	5kVAr 7%/5.7% Reactor + 5.6kVAr, 480V Capacitor	5kVAr 7%/5.7% Reactor + 6.9kVAr, 525V Capacitor	5kVAr 14% Reactor + 6.9kVAr, 525V Capacitor
10	10kVAr 7%/5.7% Reactor + 11.3kVAr, 480V Capacitor	10kVAr 7%/5.7% Reactor + 13.8kVAr, 525V Capacitor	10kVAr 14% Reactor + 12.5kVAr, 525V Capacitor
12.5	12.5kVAr 7%/5.7% Reactor + 14.4kVAr, 480V Capacitor	12.5kVAr 7%/5.7% Reactor + 17.2kVAr, 525V Capacitor	12.5kVAr 14% Reactor + 15.4kVAr, 525V Capacitor
15	15kVAr 7%/5.7% Reactor + 17kVAr, 480V Capacitor	15kVAr 7%/5.7% Reactor + 20.6kVAr, 525V Capacitor	15kVAr 14% Reactor + 18.5kVAr, 525V Capacitor
20	20kVAr 7%/5.7% Reactor + 22.4kVAr, 480V Capacitor	20kVAr 7%/5.7% Reactor + 27.5kVAr, 525V Capacitor	20kVAr 14% Reactor + 25kVAr, 525V Capacitor
25	25kVAr 7%/5.7% Reactor + 28.1kVAr, 480V Capacitor	25kVAr 7%/5.7% Reactor + 33.1kVAr, 525V Capacitor	25kVAr 14% Reactor + 30.6kVAr, 525V Capacitor
50	50kVAr 7%/5.7% Reactor + 2 x 28.1kVAr, 480V Capacitor	50kVAr 7%/5.7% Reactor + 2 x 33.1kVAr, 525V Capacitor	50kVAr 14% Reactor + 2 x 30.6kVAr, 525V Capacitor
75	75kVAr 7%/5.7% Reactor + 3 x 28.1kVAr, 480V Capacitor	75kVAr 7%/5.7% Reactor + 3 x 33.1kVAr, 525V Capacitor	75kVAr 14% Reactor + 3 x 30.6kVAr, 525V Capacitor
100	100kVAr 7%/5.7% Reactor + 4 x 28.1kVAr, 480V Capacitor	100kVAr 7%/5.7% Reactor + 4 x 33.1kVAr, 525V Capacitor	100kVAr 14% Reactor + 4 x 30.6kVAr, 525V Capacitor

# VarPlus Logic APFC relay

- Automatic Initialization & sequence detection
- Measurement of Step kVAr & THDv up to 19th
- RS485 port as default feature
- 4 Quadrant measurement
- Dual Cos phi settings for two source operation



[se.com/in](http://se.com/in)

[www.techmech.yolasite.com](http://www.techmech.yolasite.com)

# Power Factor Correction Products



## APFC Relays

Description	No. of Step	Minimum Ordering Quantity (No.)	Reference	Unit LP
<b>Varlogic APFC Relays - Classic Range</b>				
RT6 , 6 step, 440V, 5A	6	1	51207 <input checked="" type="checkbox"/>	14953
RT8 , 8 step, 440V, 5A	8	1	51209 <input checked="" type="checkbox"/>	19381
RT12 , 12 step, 440V, 5A	12	1	51213 <input checked="" type="checkbox"/>	22485
<b>VarPlus Logic APFC Relays - Advanced Range</b>				
VPL06, 6 step LCD Display , 90V - 550V 50/60Hz 1A/5A with RS485	6	1	VPL06N <input checked="" type="checkbox"/>	33310
VPL12, 12 step LCD Display , 90V - 550V 50/60Hz 1A/5A with RS485	12	1	VPL12N <input checked="" type="checkbox"/>	35968

## Capacitor Duty Contactors (AC Control)



- Conformance to IEC 60070 and 60831, UL, CSA
- Special Contactors designed for switching of 3 Phase, single or multi step capacitor bank#
- Current limiting using block of early make poles and damping resistors
- Inbuilt auxiliary contact

Nominal Reactive Power 440 V	Auxiliary Contacts	Reference	Unit MRP
<b>LC1-D•K - with Damping Resistors &amp; Block of Early Make polesz</b>			
12.5 kVar	1 NO + 1 NC	LC1DFK*	2935
16.7 kVar	1 NO + 1 NC	LC1DGK11*C	4120
20 kVar	1 NO + 1 NC	LC1DLK*	4630
25 kVar	1 NO + 1 NC	LC1DMK11*C	5080
33.3 kVar	1 NO + 2 NC	LC1DPK*C	11060
40 kVar	1 NO + 2 NC	LC1DTK*C	15240
60 kVar	1 NO + 2 NC	LC1DWK*C	17155

#Contactor recommended upto 6 steps. For over 6 steps it is recommended to use chokes

\* Reference to be completed by adding coil voltage code

### \* Coil Voltage Code

VOLTAGE	110	220
LC1DPK ....DWK 50HZ	F7	M7

Note: Note: For ordering contactors with other coil voltages & frequencies, please contact sales representatives.

For details on non standard references, technical parameters, accessories, compatibility, stockable and non stockable status please contact Customer Care



# Power Factor Correction Equipment - VarSet



## Reliable

- > Achieves Target set PF
- > Reduces demand kVA
- > Eliminates PF Penalty
- > Highest output to steps ratio "∅"
- > Fuel savings in DG

## Safe

- > 3ph simultaneous PSD
- > Burst proof capacitors
- > Detuned Reactors- No Harmonic Amplification
- > Minimum switching transient

## Embedded Intelligence

- > Auto start, Auto detection, Auto polarity check, Auto c/k
- > Thermal intelligence
- > Harmonic intelligence
- > Asset management and performance
- > PQ Disturbance detection (Optional)

## Digitize

- > Flexible to move to connected world
- > Web page monitor facility through Schneider Gateway devices (Optional)
- > Seam less integration with PME, PSE

## Quality of construction

- > Compliance to IEC 61921 and Indian Standards.
- > Stringent quality control measures
- > Best Engineering practices
- > Best thermal design for heat dissipation



ISO 9001 ISO 14001  
ISO 50001



IGBC Green building  
Gold medal



IEC



ROHS



REACH



Indian Standards

NORMAL STOCK ITEMS

W.E.F. January 27<sup>th</sup>, 2020

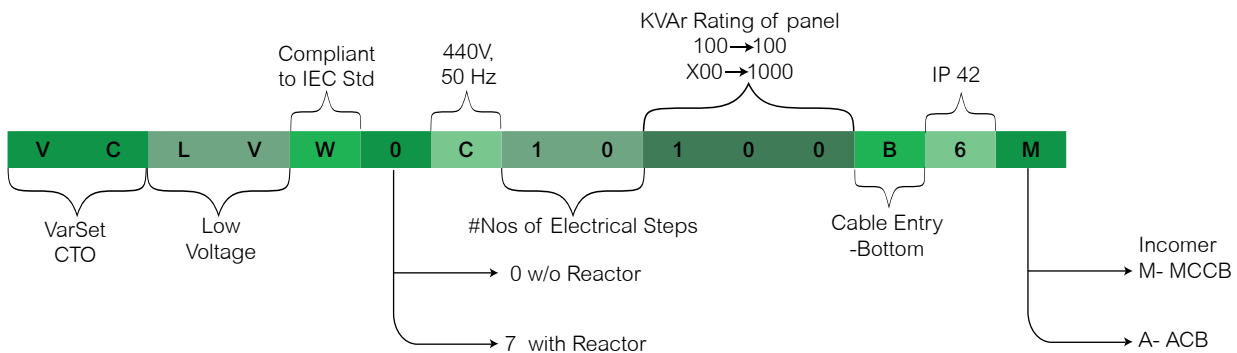
# Power Factor Correction Equipment - VarSet

## VarSet LV APFC panels without reactors



Panel Ratings	Step Configuration in kVAr	Cat Reference No.	Dimensions (in mm) W x D x H	Unit LP
<b>Incomer MCCB</b>				
100	3x10kVAr + 1x20kVAr + 1x50kVAr	VCLVW0C10100B6M	800 x 800 x 2325	On Request
125	2x12.5kVAr + 2x25kVAr + 1x50kVAr	VCLVW0C10125B6M	800 x 800 x 2325	On Request
150	2x12.5kVAr + 1x25kVAr + 2x50kVAr	VCLVW0C12150B6M	800 x 800 x 2325	On Request
200	2x12.5kVAr + 1x25kVAr + 3x50kVAr	VCLVW0C16200B6M	800 x 800 x 2325	On Request
250	2x12.5kVAr + 1x25kVAr + 4x50kVAr	VCLVW0C20250B6M	1200 x 800 x 2325	On Request
300	2x12.5kVAr + 1x25kVAr + 5x50kVAr	VCLVW0C24300B6M	1200 x 800 x 2325	On Request
350	2x12.5kVAr + 1x25kVAr + 6x50kVAr	VCLVW0C28350B6M	1200 x 800 x 2325	On Request
400	2x25kVAr + 3x50kVAr + 2x100kVAr	VCLVW0C16400B6M	1200 x 800 x 2325	On Request
500	2x25kVAr + 3x50kVAr + 3x100kVAr	VCLVW0C20500B6M	1200 x 800 x 2325	On Request
<b>Incomer ACB</b>				
500	2x25kVAr + 3x50kVAr + 3x100kVAr	VCLVW0C20500B6A	1200 x 800 x 2325	On Request
600	2x25kVAr + 3x50kVAr + 4x100kVAr	VCLVW0C24600B6A	1400 x 800 x 2325	On Request
700	2x25kVAr + 3x50kVAr + 5x100kVAr	VCLVW0C28700B6A	1400 x 800 x 2325	On Request
750	2x25kVAr + 4x50kVAr + 5x100kVAr	VCLVW0C30750B6A	1400 x 800 x 2325	On Request
800	2x25kVAr + 3x50kVAr + 6x100kVAr	VCLVW0C32800B6A	2000 x 800 x 2325	On Request
900	2x25kVAr + 3x50kVAr + 7x100kVAr	VCLVW0C36900B6A	2000 x 800 x 2325	On Request
1000	2x25kVAr + 1x50kVAr + 9x100kVAr	VCLVW0C40X00B6A	2000 x 800 x 2325	On Request

### Cat Reference Creation




<b>Product offer:</b> VarSet LV APFC panels with 7% / without Reactors Ratings = 100kVAr to 1000kVAr Capacitor = MPP HD Can 440/480V, with 3ph simultaneous PSD	<b>General Features:</b> System voltage = 440V Frequency = 50Hz Phase = 3 Design = Modular IP = IP42 Switching = Random	<b>Incomer:</b> Upto 350kVAr = MCCB, 36kA From 350 to 500kVAr = MCCB, 50kA From 500 to 1000kVAr = ACB, 65kA Step protection = MCCBs, 36kA	<b>Switching:</b> Capacitor duty Contactor - without Reactor design Power Contactors - with Reactor design
--	---	---	--

# Power Factor Correction Equipment - VarSet

VarSet LV APFC panels with 7% reactors




Panel Ratings	Step Configuration in kVAr	Cat Reference No.	Dimensions (in mm) W x D x H	Unit LP 
<b>Incomer MCCB</b>				
100	3x10kVAr + 1x20kVAr + 1x50kVAr	VLVW7C10100B6M	1200 x 800 x 2325	On Request
125	2x12.5kVAr + 2x25kVAr + 1x50kVAr	VLVW7C10125B6M	1200 x 800 x 2325	On Request
150	2x12.5kVAr + 1x25kVAr + 2x50kVAr	VLVW7C12150B6M	1200 x 800 x 2325	On Request
200	2x12.5kVAr + 1x25kVAr + 3x50kVAr	VLVW7C16200B6M	1200 x 800 x 2325	On Request
250	2x12.5kVAr + 1x25kVAr + 4x50kVAr	VLVW7C20250B6M	1800 x 800 x 2325	On Request
300	2x12.5kVAr + 1x25kVAr + 5x50kVAr	VLVW7C24300B6M	1800 x 800 x 2325	On Request
350	2x12.5kVAr + 1x25kVAr + 6x50kVAr	VLVW7C28350B6M	1800 x 800 x 2325	On Request
400	2x25kVAr + 3x50kVAr + 2x100kVAr	VLVW7C16400B6M	1800 x 800 x 2325	On Request
500	2x25kVAr + 3x50kVAr + 3x100kVAr	VLVW7C20500B6M	1800 x 800 x 2325	On Request
<b>Incomer ACB</b>				
500	2x25kVAr + 3x50kVAr + 3x100kVAr	VLVW7C20500B6A	1800 x 800 x 2325	On Request
600	2x25kVAr + 3x50kVAr + 4x100kVAr	VLVW7C24600B6A	2200 x 800 x 2325	On Request
700	2x25kVAr + 3x50kVAr + 5x100kVAr	VLVW7C28700B6A	2200 x 800 x 2325	On Request
750	2x25kVAr + 4x50kVAr + 5x100kVAr	VLVW7C30750B6A	2200 x 800 x 2325	On Request
800	2x25kVAr + 3x50kVAr + 6x100kVAr	VLVW7C32800B6A	3200 x 800 x 2325	On Request
900	2x25kVAr + 3x50kVAr + 7x100kVAr	VLVW7C36900B6A	3200 x 800 x 2325	On Request
1000	2x25kVAr + 1x50kVAr + 9x100kVAr	VLVW7C40X00B6A	3200 x 800 x 2325	On Request

Note:

VarSet prices will be On Request



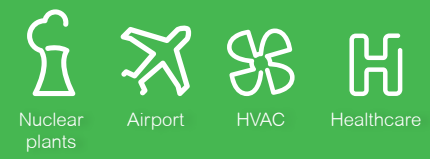
# Accusine PCS+

- All in one: Harmonics, PF, Load unbalance, Flicker
- Fully selectable harmonics: 2<sup>nd</sup> to 50<sup>th</sup>
- Flexible CT connection: Load side/ source side
- Suitable to work in Harsh environment including marine application
- Parallel connection up to 99 units - any combination of models
- Standards compliance / certification:  (UL508, CSA 22.2 No.14) CE Certified
- PCBA Protection - conformal coating on all PCBAs pollution Degree 2

## Industry segment



## Infrastructure & Building segment



[se.com/in](http://se.com/in)





# Accusine PCSn

## Discover the new AccuSine PCSn

Your 3-phase + neutral active harmonic filter

Clean up your current

- Units design to work in high ambient temp up to 50 Deg C
- 3 Level IGBT to meet tough target requirements from Utilities
- 3-in-1 Harmonic Correction, PF improvement, Main current balancing



### Building segment



Heavy Industry



Retail space



Healthcare



Hotel & Casino



Life sciences & University



Datacenter Cloud Farm

### Industry segment



Light Industry



Food & Beverage

[se.com/in](http://se.com/in)

[www.techmech.yolasite.com](http://www.techmech.yolasite.com)

# Active Harmonic Filtering Solutions

## AccuSine PCS+



Accusine PCS+

- 3 Ph, 3 wire connection
- From 208V to 690V supply
- Parallel connection up to 99 units - any combination of models
- Harmonic cancellation spectrum from 2nd to 50th harmonic order
- Load balancing of source current
- DPF correction
- Can be used with PF capacitors as Hybrid VAR compensation (HVC) system

Description	AMPS	Minimum Ordering Quantity (No.)	Reference	Unit LP
<b>AccuSine PCS+</b>				
AccuSine PCS+ 60A 380V- 480V 50- 60Hz IP31	60	1	PCSP060D5IP31	On Request
AccuSine PCS+ 120A 380V - 480V 50- 60Hz IP31	120	1	PCSP120D5IP31	On Request
AccuSine PCS+ 200A 380V- 480V 50- 60Hz IP31	200	1	PCSP200D5IP31	On Request
AccuSine PCS+ 300A 380V- 480V 50- 60Hz IP31	300	1	PCSP300D5IP31	On Request
<b>AccuSine PCS+ IP54</b>				
AccuSine PCS+ 60A 380V-480V 50- 60Hz IP54	60	1	PCSP060D5IP54	On Request
AccuSine PCS+ 120A 380V-480V 50- 60Hz IP54	120	1	PCSP120D5IP54	On Request
AccuSine PCS+ 200A 380V- 480V 50- 60Hz IP54	200	1	PCSP200D5IP54	On Request
AccuSine PCS+ 300A 380V- 480V 50- 60Hz IP54	300	1	PCSP300D5IP54	On Request

Note: Active Harmonic Filter prices On Request

## AccuSine PCSn



Clean up your current

- Units design to work in high ambient temp up to 50 Deg C
- 3 Level IGBT to meet tough target requirements from Utilities
- 3-in-1 Harmonic Correction, PF improvement, Main current balancing

AccuSine PCSn

Description	AMPS	Minimum Ordering Quantity (No.)	Reference	Unit LP
<b>AccuSine PCSn</b>				
AccuSine PCSn 30A 208-415Vac 3ph+N chassis IP00	30	1	PCSN030Y4CH00	On Request
AccuSine PCSn 60A 208-415Vac 3ph+N chassis IP00	60	1	PCSN060Y4CH00	On Request
AccuSine PCSn 60A 208-415Vac 3ph+N chassis IP00 expansion module	60	1	PCSN060Y4CH00E	On Request
AccuSine PCSn 30A 208-415Vac 3ph+N wall mount IP20	30	1	PCSN030Y4W20	On Request
AccuSine PCSn 60A 208-415Vac 3ph+N wall mount IP20	60	1	PCSN060Y4W20	On Request
AccuSine PCSn 60A 208-415Vac 3ph+N wall mount IP20 expansion module	60	1	PCSN060Y4W20E	On Request
AccuSine PCSn 30A 208-415Vac 3ph+N rack mount 19"	30	1	PCSN030Y4R19	On Request
AccuSine PCSn 60A 208-415Vac 3ph+N rack mount 19"	60	1	PCSN060Y4R19	On Request
AccuSine PCSn 60A 208-415Vac 3ph+N rack mount 19" expansion module	60	1	PCSN060Y4R19E	On Request

Note: Active Harmonic Filter prices On Request













Life Is 

**Schneider**  
Electric

## Schneider Electric India Pvt. Ltd.

Corporate Office: 9th Floor, DLF Building No. 10, Tower C, DLF Cyber City, Phase II, Gurugram 122002, Haryana  
Tel.: +91 124 3940400 Fax: +91 124 4222036/ 037

**Ahmedabad**  
Schneider Electric India (P) Ltd.  
1506-1507, 15th Floor Shapth-5,  
SG Highway, Ahmedabad - 380015  
Tel.: 079-66826701

**Cochin**  
Schneider Electric India (P) Ltd.  
41 / 406- D1,3rd Floor, Beejay  
Towers, Rajaji Road  
Cochin- 682035  
Tel.: 0484-3048401

**Ludhiana**  
Schneider Electric India (P) Ltd.  
Office No. - 3, 5th Floor, Novelty Plaza  
Bhaiwala Chowk  
Ludhiana- 140001  
Tel.: 0161- 4656672-75

**Secunderabad**  
D.No. 1-8-271, # 401, Ashoka Bhoopal  
Chambers, SP Road,  
Secunderabad - 500003  
Tel.: 04039404000  
Fax.: 040-39131313

**Bengaluru**  
Schneider Electric India (P) Ltd.  
No. 3/1, JP Techno Park,  
Mezzanine Floor, Millers Tank Bund  
Road, Vasanth Nagar,  
Bengaluru - 560052. Tel.: 080-71481351

**Coimbatore**  
Schneider Electric India (P) Ltd.  
No. -104, Classic Tower, 3rd Floor,  
Trichy Road, Coimbatore- 641018  
Tel.: 0422-3940400

**Mumbai**  
Schneider Electric India (P)( Ltd)  
Marwah House, 2nd Floor  
Krishanlal Marwah Marg,  
Andheri (East), Mumbai - 400072  
Tel.: 91-22-30263300

**Vadodara**  
605 & 606, 6th Floor Ocean Building,  
Opp.Vadodara Central, Sarabhai Road,  
Vadodara-390005  
Tel.: 0265-3940400

**Bhubaneswar:**  
Schneider Electric India (P) Ltd.  
6th Floor, Block A, JSS Software Technol-  
ogy park , E 1/1 , Chandaka Industrial  
Estate, Info City , Bhubaneswar -751025  
Tel.: 0674-6672000

**Jaipur**  
Schneider Electric India (P) Ltd.  
Jaipur Business Centre 309, 3rd  
Floor, Sangam Tower 190, Church  
Road, Jaipur-302001  
Tel.: 0141-3912903

**Nagpur**  
Schneider Electric India (P) Ltd.  
Fortune Business Centre, 6,  
Basant Vihar, W.H.C Road  
Shankar Nagar, Nagpur- 440010  
Tel.: 0712-2558581

**Vishakhapatnam**  
Schneider Electric India (P) Ltd.  
Ratnam's Business Centre,  
D.N.10-1-43, 1st Floor  
Siripuram Fort,C.B.M.Compound,  
Visakhapatnam- 530016  
Tel.: 0891 - 2508990

**Chandigarh**  
Schneider Electric India (P) Ltd.  
2nd Floor of Tower A  
Bestech Business Tower  
Sector-66  
Mohali- 160059  
Tel.: 0172-3324500

**Kolkata**  
Schneider Electric (I)Pvt.Ltd,  
BP-4, Sector-V  
Technopolis  
3rd floor, Salt Lake City  
Kolkata- 700 091  
Tel.: 033-333640100-101

**Nashik:**  
Schneider Electric India (P) Ltd.  
401, 4th Floor Rishi Raj Towers, Jehan  
Circle, Gangapur Road,  
Nashik- 422013  
Tel: +91-7620498557

**Chennai**  
Schneider Electric India (P) Ltd.  
No:29, 2nd floor, Bannari Amman Towers,  
B-Block,RK Salai, Mylapore  
Chennai - 600 004  
Tel.:044- 39404000

**Lucknow**  
Schneider Electric India (P) Ltd.  
1st Floor, Asha Bhawan 27 / II -A,  
Gokhale Marg, Lucknow- 226001  
Tel.: 0522-4006010

**Pune**  
Schneider Electric India (P) Ltd.  
1st Floor, R.B. Business Centre  
Above Dass Electronics  
Sanghvi Nagar, Aundh, Pune- 411007  
Tel.: 020-39404000

### Customer Care Centre

Monday-Saturday, 9 a.m. to 8 p.m.

Toll-free numbers: 1800 419 4272, 1800 103 0011

Email: [customercare.in@schneider-electric.com](mailto:customercare.in@schneider-electric.com)

For more information, visit our website at: [www.se.com/in](http://www.se.com/in)

- All Prices are in Indian Rupees.
- Prices are subject to change without notice.
- Prices charged will be as prevailing on the date of dispatch.
- Maximum Retail Price (MRP) is inclusive of all taxes

- Tax incidence on invoices is basis applicable GST rates. Invoice amount not to exceed MRP
- Invoice Amount = (MRP – less Applicable discount) + Applicable GST %

**Distributor**