

Application :

For use under most climatic conditions and generally for indoor use. These are Weather proof and may be used in the corrosive condition when protected by a shroud.

Technical Data

Materials & Finishes :

M. O. C :

- a. Cable Gland is manufactured in Brass (standard).
- b. Alternative material - Stainless Steel / Aluminium.

Sealing Ring : Natural Rubber

Thread :

- a. Glands are supplied with B.S.C. thread (ET) as standard.
- b. Alternative thread forms available are - NPT / PG / BSP / MM etc.

Finish :

- a. Nickel Plated (standard)
- b. Alternative Plating - Tin / Cadmium / Chrome

Protection Class: IP 60

Ref. Standard : IS 12943

Specifications :

Gland consist of checknut 1, gland body 2, metal washers (3 Nos.) 3, outer seal rubber ring 4, compression nut 5, All metal parts are made of brass accurately machined for ease of assembly (except item 3).

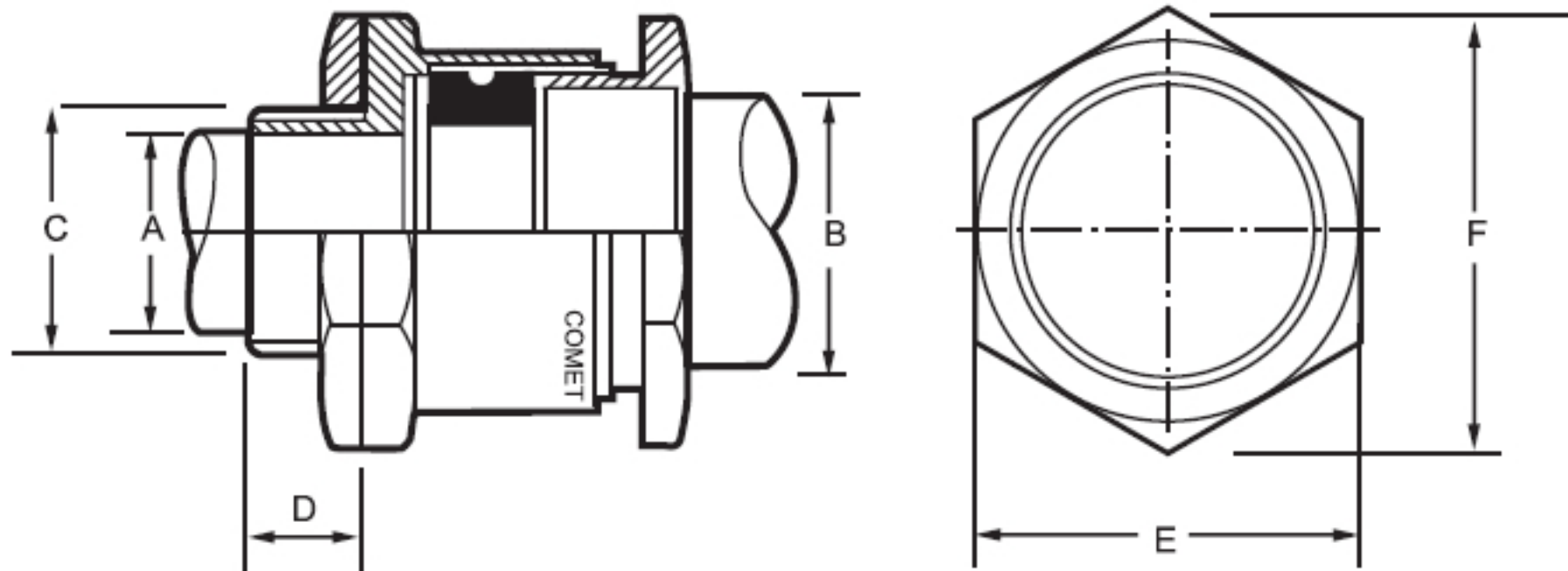
Accessories :

Shrouds and Earth tags are supplied separately and should be specified when ordering the gland.

Fitting sequence :

- 1) Pass item 5, item 3 and item 4 over cable before commencing to strip over sheath.
- 2) Remove the outer sheath to the desired length depending on the length of leads required.
- 3) Pass item 3 over the cable and splay out the armour wire one by one and then cut the armour wires according to the size of washer. Insert the third metal washer over inner sheath of cable so that bend armour are secured between the two metal washers.
- 4) Push the cable through item 2 and engage the item 5 with item 2 and tighten up while doing, so the grooved rubber ring will contract in radial direction and will grip the outer sheath of cable.
- 5) Screw item 2 into apparatus (secure with item 1 if plain hole entry.)

COMET Single Compression Type Heavy Duty Cable Gland (SIBG Series)



Cable Dimensions			Gland Dimensions			
SIBG SERIES	A (Under armour Dia) mm	B (Over all Dia) mm	Entry Thread		E (Across Flat) mm	F (Across Corner) mm
			C (Inches)	D (Length) mm		
1616	9.0	15.0	5/8"	8.5	25.0	29.0
1619	10.0	15.0	3/4"	8.5	25.0	29.0
2119	14.0	20.0	3/4"	9.5	30.5	35.0
2125	14.0	20.0	1"	9.5	30.5	35.0
2925	20.0	26.0	1"	10.0	40.0	46.0
2932	24.0	29.0	1.1/4"	10.0	40.0	46.0
2938	24.0	29.0	1.1/2"	10.0	40.0	46.0
3638	31.0	37.0	1.1/2"	11.0	49.0	56.0
4251	36.0	42.0	2"	11.0	60.0	68.0
5451	44.0	50.0	2"	12.0	67.0	77.0
5463	44.0	50.0	2.1/2"	12.0	67.0	77.0
6063	54.0	60.0	2.1/2"	12.0	78.0	88.0
6675	60.0	66.0	3"	13.0	84.0	96.0
7882	70.0	77.0	3.1/4"	14.0	98.0	112.0